

PARTS LIST

FOR

SINGER

196K

SINGLE NEEDLE

LOCK STITCH

MACHINES

INSTRUCTIONS FOR ORDERING

In ordering from this List the prefix and affix letters with the part number **MUST BE** quoted exactly as they are shown in the first column.

A number always indicates the same part in whatever List it may appear, or for whatever machine.

The affix letters and code numbers (where shown) indicate the style of finish, as follows:—

| New Code | Old Code | |
|----------|----------|--|
| 801 | A. | Hardened, Polished, Nickel Plated and Buffed. |
| 802 | B. | Polished, Nickel Plated and Buffed. |
| 803 | C. | Hardened only. |
| 804 | D. | Polished only. |
| 805 | E. | Soft, Not Polished. |
| 806 | F. | Hardened and Polished. |
| 807 | G. | Bright Rumbled and Nickel Plated. |
| 808 | H. | Blued. |
| 809 | J. | Nickel Plated only. |
| 810 | K. | Hardened and Nickel Plated. |
| 811 | L. | Brass Plated. |
| 812 | M. | Oxidized. |
| 813 | R. | Phosphate Coating Formed on Surface of Iron or Steel. |
| 814 | S. | Cadmium Plated. |
| 815 | T. | Copper Plated. |
| 816 | U. | Zinc Plated. |
| 817 | V. | Silver Plated. |
| 818 | W. | Polished and Nickel Plated. |
| 819 | X. | Black Oxide for Iron and Steel. |
| 820 | Y. | Black Nickel Plated only. |
| 821 | Z. | Chromium Plated. |
| 822 | A.A. | Buffed and Chromium Plated. |
| 823 | A.B. | Hardened, Polished, Buffed and Chromium Plated. |
| 824 | A.E. | Hardened, Bright Rumbled and Nickel Plated. |
| 825 | A.F. | Hardened, Bright Rumbled, Nickel Plated, Bright Rumbled and Chromium Plated. |
| 826 | A.G. | Alumilite (Plain). |
| 827 | A.H. | Alumilite (Dyed). Colour must be stated. |
| 828 | A.J. | Polished, Nickel Plated and Chromium Plated. |
| 829 | A.K. | Hardened, Polished, Nickel Plated and Chromium Plated. |
| 830 | A.L. | Heat Treated for Toughness. |
| 831 | A.L.D. | Heat Treated for Toughness and Polished. |
| 832 | A.L.J. | Heat Treated for Toughness and Nickel Plated. |
| 833 | A.L.X. | Heat Treated for Toughness and Black Oxide. |
| 834 | A.L.Z.B. | Heat Treated for Toughness, Polished, Nickel Plated, Buffed and Chromium Plated. |
| 835 | A.S. | Black Moulded Phenolic. |
| 836 | A.T. | Beige Moulded Phenolic. |
| 837 | A.U. | Brown Moulded Phenolic. |
| 838 | | |
| 839 | B.A. | Chrome Nickel, Satin Finish. |
| 840 | B.B. | Hardened and Chrome Nickel, Satin Finish. |
| 841 | C.R. | Hardened and Phosphate Coating Formed on Surface of Steel. |
| 842 | C.U. | Hardened and Zinc Plated. |
| 843 | F.J. | Hardened, Polished and Nickel Plated. |
| 844 | T.A. | Hardened, Polished, Copper and Nickel Plated and Buffed. |
| 845 | T.B. | Copper and Nickel Plated and Polished. |
| 846 | T.J. | Copper and Nickel Plated only. |
| 847 | T.K. | Hardened, Copper and Nickel Plated. |
| 848 | T.L. | Copper and Brass Plated. |
| 849 | T.M. | Copper Plated and Oxidized. |
| 850 | X.C. | Hardened and Black Oxide for Iron and Steel. |
| 851 | Z.A. | Hardened, Polished, Nickel Plated, Buffed and Chromium Plated. |
| 852 | Z.B. | Polished, Nickel Plated, Buffed and Chromium Plated. |
| 853 | Z.C. | Hardened and Chromium Plated. |
| 854 | Z.D. | Polished and Chromium Plated. |
| 855 | Z.G. | Bright Rumbled, Nickel Plated, Bright Rumbled and Chromium Plated. |
| 856 | Z.J. | Nickel and Chromium Plated. |
| 857 | Z.T. | Copper and Chromium Plated. |
| 858 | A.L.Z.J. | Heat Treated for Toughness, Nickel and Chromium Plated. |
| 859 | | Heat Treated for Toughness, Copper Plated and Oxidized. |
| 860 | | Nickel Plated and Buffed only. |
| 861 | | Alumilite (dyed)—Black. |
| 862 | | Alumilite (dyed)—Light Almond Green. |
| 863 | | Alumilite (dyed)—Dark Brown. |
| 864 | | Alumilite (dyed)—Russet Brown. |
| 865 | | Alumilite (dyed)—Dark Green. |

Parts marked with an asterisk () are furnished only when repairs are made at Factory.*

NUMERICAL LIST OF PARTS

The Parts Listed Below Are Used in 196K5 and 196K205 Machines.

For Parts Used Only in Machine No. 196K5 see Page 50

For Parts Used Only in Machine No. 196K205 see Page 51

| No. | Plate | Description | No. | Plate | Description |
|-------|-------|---|--------|-------|---|
| NN40d | 88 | Hemmer Base Stud Screw Thumb Nut for 85446 | 624al | 2882 | Feed Reversing Lever Hinge Pin Set Screw for 174038 |
| SS50d | 2893 | Binder Folder Screw for 85692 | 624al | 2887 | Thread Retainer Set Screw |
| SS50d | 2893 | Binder Tape Tension Screw for 85692 | 688j | 2884 | Pressure Regulating Thumb Screw |
| SS54e | 2894 | Hemmer Base Stud Screw for 85447 | 689c | 2887 | Presser Bar Lifter Hinge Screw |
| 76x | 2891 | Knee Lifter Lifting Lever Connecting Rod Joint Hinge Screw | 691x | 2884 | Throat Plate Screw |
| 116e | 2889 | Arm Screw (back) | 704j | 2888 | Rotating Hook Bobbin Case Holder Position Bracket Screw |
| 145e | 2886 | Rotating Hook Shaft Bevel Gear Case (lower) Screw for 174057 | SS706x | 2889 | Belt Guard Set Screw |
| 157c | 2883 | Feed Lifting Rock Shaft Crank Clamping Screw | SS706x | 2889 | Belt Guard Support Screw for 99552 |
| 157c | 2883 | Feed Rock Shaft Crank Clamping Screw for 29633 | 725x | 2884 | Bed Slide Spring Screw for 12432 |
| 161e | 2882 | Feed Regulator Spring Bracket Screw | 766d | 2891 | Knee Lifter Lifting Lever Link Hinge Screw |
| 176w | 2884 | Presser Foot Screw | 802x | 2891 | Knee Lifter Lifting Lever Hinge Screw |
| 176x | 2884 | Face Plate Screw (lower) | 854e | | Arm Screw (front) |
| 178e | 2891 | Knee Lifter Bell Crank Bracket Screw | 966e | 2880 | Feed Lifting Rock Shaft Connecting Rod Cap Screw for 127156 |
| 207d | 2894 | Quilter Clamp Screw for 86041 | 1036al | 2880 | Thread Take-up Crank Set Screw for 174109 and 196K205 Machine |
| 208al | 2895 | Thread Unwinder Thread Guide Rod Screw for 225324 | 1053e | 2888 | Rotating Hook Thread Guard Screw for 174044 and 174090 |
| 219d | 2886 | Arm Side Shield Screw | 1065al | 2880 | Needle Bar Crank Position Screw for 174109 and 174111 |
| 219d | 2886 | Presser Foot Spring Screw for 85884 | 1133al | 2882 | Needle Bar Bushing (lower) Set Screw |
| 223c | 2884 | Slack Thread Regulator Set Screw for 52338 | 1133al | 2882 | Needle Bar Bushing (upper) Set Screw |
| 226x | 2884 | Face Plate Thread Guard (lower) Screw for 174028 | 1133e | 2884 | Presser Bar Bushing (lower) Set Screw |
| 226x | 2884 | Face Plate Thread Guard (upper) Screw for 174028 | 1148al | 2886 | Rotating Hook Shaft Bushing (back) Set Screw |
| 228d | 2894 | Corder Guide Extension Guide Screw for 85877 | 1148al | 2886 | Rotating Hook Shaft Bushing (front) Set Screw |
| 229w | 2882 | Needle Bar Thread Guard Screw for 127116 | 1253al | 2888 | Rotating Hook Set Screw for 174043 and 174089 |
| 313c | 2883 | Feed Bar Screw Centre for 56813 | 1259al | 2880 | Arm Shaft (horizontal) Bevel Gear Set Screw for 174107 |
| 335r | 2882 | Thread Take-up Lever Guard Screw | 1259al | 2880 | Arm Shaft (horizontal) Collar Set Screw for 49010 |
| 356c | 2891 | Knee Lifter Rock Shaft Knee Arm Hub Set Screw for 2766 | 1259al | 2880 | Arm Shaft (upright) Bevel Gear (lower) Set Screw for 143014 |
| 356c | 2891 | Knee Lifter Rock Shaft Knee Plate Set Screw for 2767 | 1259al | 2880 | Arm Shaft (upright) Bevel Gear (upper) Set Screw for 143015 |
| 356c | 2891 | Knee Lifter Rock Shaft Lifting Bracket Hook Set Screw for 6337 | 1259al | 2886 | Rotating Hook Shaft Bevel Gear Set Screw for 143081 |
| 356c | 2891 | Knee Lifter Rock Shaft Lifting Bracket Set Screw for 6337 | 1367e | 2888 | Rotating Hook Section Screw for 174045 and 174091 |
| 356c | 2891 | Knee Lifter Rock Shaft Stop Dog Set Screw for 2770 | 1380e | 2888 | Rotating Hook Bobbin Case Tension Spring Screw for 52236 |
| 375c | 2883 | Feed Connecting Link Hinge Screw | 1507r | 2891 | Knee Lifter Rock Shaft Knee Plate Arm Bracket Position Nut for 2765 |
| 375c | 2883 | Feed Forked Connection Hinge Screw for 174030 | 1513j | 2883 | Feed Lifting Rock Shaft Screw Centre Nut for 52097 |
| 375c | 2883 | Feed Lifting Rock Shaft Connecting Rod Hinge Screw | 1513j | 2883 | Feed Rock Shaft Screw Centre Nut for 52097 |
| 435al | 2880 | Arm Shaft (horizontal) Bushing (intermediate) Set Screw | 1518r | 2883 | Feed Connecting Link Hinge Screw Nut |
| 435al | 2880 | Thread Take-up Lever Link Hinge Pin Set Screw | 1518r | 2883 | Feed Forked Connection Hinge Screw Nut for 174030 |
| 443al | 2880 | Arm Shaft (horizontal) Flanged Bushing (back) Set Screw | 1518r | 2883 | Feed Lifting Rock Shaft Connecting Rod Hinge Screw Nut |
| 443al | 2880 | Arm Shaft (horizontal) Flanged Bushing (front) Set Screw | 1519e | 2883 | Feed Bar Screw Centre Nut for 56813 |
| 448al | 2880 | Feed and Feed Lifting Eccentric Set Screw for 166030 and 174079 | 1520r | 2887 | Presser Bar Lifter Hinge Screw Nut |
| 448al | 2887 | Thread Take-up Spring Regulator Set Screw | 1521e | 2891 | Knee Lifter Lifting Lever Connecting Rod Lock Nut |
| 448c | 2891 | Knee Lifter Lifting Lever Pin Set Screw for 12237 | 1560c | 2887 | Tension Regulating Thumb Nut for 52098 |
| 453al | 2884 | Presser Bar Guide Bracket Set Screw for 52338 | 1747j | 2882 | Feed Reversing Lever Connection Screw (lower) Nut |
| 591f | 2888 | Rotating Hook Bobbin Case Tension Regulating Screw for 52236 | 2102 | 2887 | Tension Disc for 147153 |
| 592e | 2888 | Rotating Hook Bobbin Case Latch Stop Screw for 52237 | 2102 | 2624 | Bobbin Winder Tension Disc for 225462 |
| | | | 2763 | 2890 | Knee Lifter Rock Shaft for 139633 |
| | | | 2765 | 2890 | Knee Lifter Rock Shaft Knee Arm with 1507r for 2768 |
| | | | 2766 | 2890 | Knee Lifter Rock Shaft Knee Arm Hub with 356c, for 2768 |
| | | | 2767 | 2890 | Knee Lifter Rock Shaft Knee Plate with 356c, for 2768 |

NUMERICAL LIST OF PARTS

| No. | Plate | Description | No. | Plate | Description |
|---------|-------|--|--------|-------|--|
| 2768 | — | Knee Lifter Rock Shaft Knee Arm 2765 with 2766 and 2767, for 84789 and 93815 | 50591c | 2882 | Feed Reversing Lever Connection Screw (lower) |
| 2770 | 2890 | Knee Lifter Rock Shaft Stop Dog with 356c for 139633 | 50591c | 2882 | Feed Reversing Lever Connection Screw (upper) |
| 2974 | 2888 | Rotating Hook Bobbin Case Latch Lever Fulcrum Pin for 40393 | 50608x | 2889 | Arm Pin Plug Screw (back) |
| 2975 | 2888 | Rotating Hook Bobbin Case Latch Spring for 52237 | 50668e | 2886 | Arm Shaft (horizontal) Bevel Gear Case (upper) Screw (long), for 174054 |
| 4307 | 2884 | Bed Slide Spring for 12432 | 50669e | 2886 | Arm Shaft (horizontal) Bevel Gear Case (upper) Screw (short), for 174054 |
| 5596 | 2890 | Knee Lifter Bell Crank for 5598 | 51369c | 2884 | Arm Top Cover Screw |
| 5598 | 2890 | Knee Lifter Bell Crank 5596 with 5599, 5601 and 5735 | 51460f | 2882 | Needle Clamp Screw for 52307 |
| 5599 | 2890 | Knee Lifter Bell Crank Bracket for 5598 | 52016 | 2887 | Presser Bar Lifter |
| 5601 | 2891 | Knee Lifter Bell Crank Hinge Pin for 5598 | 52018 | 2888 | Rotating Hook Bobbin Case Holder Position Bracket |
| 5735 | 2891 | Knee Lifter Bell Crank Spring for 5598 | 52024 | 2882 | Thread Take-up Lever Link for 106035 and 174104 |
| 6337 | 2890 | Knee Lifter Rock Shaft Lifting Bracket with two 356c for 139633 | 52027 | 2887 | Thread Guard (side of arm) |
| 8879 | 2889 | Arm Spool Pin Washer (cloth) (Accessories) | 52028b | 2890 | Knee Lifter Lifting Lever Connecting Rod |
| 11170 | 2884 | Presser Bar Spring Washer | 52053 | 2884 | Face Plate Thread Guard (lower) for 174028 |
| 12237 | 2890 | Knee Lifter Lifting Lever with 448c | 52073 | 2882 | Feed Connecting Link Hinge Stud |
| 12240 | 2891 | Knee Lifter Lifting Lever Pin | 52083 | 2887 | Thread Take-up Spring Regulator with 50305c, for 147153 |
| 12241 | 2884 | Knee Lifter Lifting Lever Link | 52097 | — | Feed Lifting Rock Shaft Screw Centre 50191c with 1513j |
| 12327 | 2884 | Presser Bar Lifting and Releasing Lever Bracket | 52097 | — | Feed Rock Shaft Screw Centre 50191c with 1513j |
| 12329 | 2887 | Tension Releasing Lever Spring | 52098 | — | Tension Stud 50304c with 1560c, for 147153 |
| 12361 | 2892 | Machine Hinge Connection (Accessories) | 52130 | 2882 | Thread Take-up Lever Thread Eyelet Bushing for 52022 and 174102 |
| 12391 | 2884 | Presser Bar (hollow) | 52165 | 2883 | Feed Connecting Link for 174030 |
| 12398 | 2887 | Tension Releasing Lever Hinge Pin | 52182 | 2886 | Arm Oil Tube with 52184, for oiling 52022, 127231, 174048 and 174102 |
| 12416r | 2891 | Knee Lifter Lifting Lever Connecting Rod Joint | 52183 | 2886 | Arm Oil Tube with 52184, for oiling 52024 |
| 12431x | 2884 | Bed Slide for 12432x | 52184 | 2882 | Arm Oil Tube Packing (wick) for 52180, 52182 and 52183 |
| 12432x | 2884 | Bed Slide, complete, Nos. 4307, 12431x and two 725x | 52184 | 2882 | Arm Top Cover Oil Tube (long) Packing (wick) for 174024 |
| +12482x | 2885 | Throat Plate, large needle hole, for 12481 | 52185 | 2886 | Arm Oil Tube (short) with 42367, for oiling 52022 and 174102 |
| 13710 | 2624 | Bobbin Winder Tension Spring for 225462 | 52193 | 2880 | Arm Shaft (horizontal) Flanged Bushing (back) Oil Pad (braided cotton) for 174004 and 174062 |
| 16532 | 2889 | Arm Dowel Pin | 52211 | 2880 | Feed and Feed Lifting Eccentric Lubricating Pad (wood, short) for 166030 and 174079 |
| 24041 | 2882 | Needle Bar Connecting Stud with 140706al for 127232 and 174087 | 52235 | — | Rotating Hook Bobbin Case for 52236 |
| 25866 | 2892 | Guide (Accessories) | 52236 | — | Rotating Hook Bobbin Case 52235 with 591f, 1380e and 40394, for 52237 |
| 27739 | 2895 | Thread Unwinder Thread Cone (wood) for large cones, for 225258 | 52237 | 2888 | Rotating Hook Bobbin Case, complete, Nos. 592e, 2975, 40393 and 52236, for 143345, 174046 and 174092 |
| 29633 | 2883 | Feed Rock Shaft Crank with 157c, for 174041 | 52239 | 2889 | Arm Spool Pin and Thread Eyelet (Accessories) |
| 32574 | 2887 | Tension Releasing Pin for 147153 | 52265 | 2883 | Feed Lifting Rock Shaft Crank with 52267 for 174032 |
| 40392 | 2888 | Rotating Hook Bobbin Case Latch for 40393 | 52266 | — | Feed Lifting Rock Shaft Crank Slide Block for 52267 |
| 40393 | — | Rotating Hook Bobbin Case Hinge Nos. 2974, 40392 and 125320, for 52237 | 52267 | 2883 | Feed Lifting Rock Shaft Crank Slide Block 52266 with 125060, for 52265 |
| 40394 | 2888 | Rotating Hook Bobbin Case Tension Spring for 52236 | 52279 | 2886 | Arm Shaft (upright) Bushing (upper) Oil Wick (braided cotton) for 174013 |
| 42367 | 2886 | Arm Oil Tube Packing (braided cotton) for 52185 | 52280 | 2886 | Arm Shaft (upright) Bushing (lower) Oil Pad (felt) for 166027 |
| 43944 | 2887 | Tension Releasing Lever | 52280 | 2886 | Arm Shaft (upright) Bushing (upper) Oil Pad (felt) for 174013 |
| 49010 | 2880 | Arm Shaft (horizontal) Collar with two 1259al | 52280 | 2886 | Rotating Hook Shaft Bushing (back) Oil Pad (felt) for 174106 |
| 50053w | 2886 | Arm Side Cover Thumb Screw | 52307 | 2882 | Needle Clamp with 51460f, for 127116 |
| 50117al | 2883 | Feed Dog Screw | 52337 | 2884 | Slack Thread Regulator |
| 50150c | 2885 | Rotating Hook Shaft Collar Screw for 66581 | 52338 | 2884 | Presser Bar Guide Bracket with 223c and 453al |
| 50190w | 2892 | Guide Thumb Screw (Accessories) | 52390 | — | Presser Foot Shank for 52427 |
| 50191c | 2883 | Feed Lifting Rock Shaft Screw Centre, for 52097 | | | |
| 50191c | 2883 | Feed Rock Shaft Screw Centre, for 52097 | | | |
| 50193j | 2889 | Feed Regulating Stud Head Cap Screw | | | |
| 50200c | 2882 | Feed Connecting Link Hinge Stud Set Screw, for 174034 | | | |
| 50304c | 2887 | Tension Stud for 52098 | | | |
| 50305c | 2887 | Tension Stud Set Screw for 52083 | | | |
| 50338e | 2889 | Feed Regulating Stud | | | |

NUMERICAL LIST OF PARTS

| No. | Plate | Description | No. | Plate | Description |
|-------|-------|--|---------|-------|---|
| 52394 | 2887 | Thread Take-up Spring for 147153.... | 86543 | — | Hemmer (foot, flat sole) $\frac{1}{4}$ " |
| 52426 | — | Presser Foot Plate for 52427 | 86544 | — | Hemmer (foot, flat sole, with groove) $\frac{1}{16}$ " |
| 52427 | 2885 | Presser Foot (spring, hinged), complete, Nos. 26231, 52390, 52426 and 62527.. | 86545 | — | Hemmer (foot, flat sole, with groove) $\frac{3}{32}$ " |
| 52452 | 2883 | Feed Bar | 86546 | 2894 | Hemmer (foot, flat sole, with groove) $\frac{1}{4}$ " |
| 52454 | 2887 | Thread Retainer | 86547 | — | Hemmer (foot, flat sole, with groove) $\frac{3}{32}$ " |
| 56032 | 2889 | Feed Regulating Stud Head with 56033.. | 86548 | — | Hemmer (foot, flat sole, with groove) $\frac{1}{16}$ " |
| 56033 | 2889 | Feed Regulating Stud Head Stop Pin for 56032 | 86549 | — | Hemmer (foot, flat sole, with groove) $\frac{3}{32}$ " |
| 56034 | 2889 | Feed Regulating Stud Lock Pin..... | 86550 | — | Hemmer (foot, flat sole, with groove) $\frac{1}{4}$ " |
| 56035 | 2889 | Feed Regulating Stud Lock Pin Spring | 86720 | 28920 | Oiler |
| 56813 | — | Feed Bar Screw Centre 313c with 1519e.. | 93815 | 2890 | Knee Lifter Rock Shaft, complete, Nos. 2768, 139633, two 97502 and four wood screws 1" No. 10 |
| 62527 | — | Presser Foot Hinge Pin for 52427 and 161066 | 97502 | 2890 | Knee Lifter Rock Shaft Bracket for 93815 |
| 62926 | — | Presser Foot Shank for 161066 | 99552 | 2889 | Belt Guard with SS706x for 174112 |
| 66581 | 2885 | Rotating Hook Shaft Collar with two 50150c | 104211 | 2624 | Bobbin Winder Pulley with 200380c for 104212 |
| 82538 | 2895 | Thread Unwinder Spool Pin Washer for 225257 | 104212 | 2624 | Bobbin Winder (universal) complete, Nos. 104211, 200056e, 200082d, 200113f, 200299h, 202478, 225381, 225444, 225453 to 225456, 225458, 225462, 228026, 259428 to 259430, two each 225459 and wood screws $\frac{3}{4}$ " No. 12 R.H.B. |
| 85320 | 2893 | Binder Folder for 85692 | 125060 | — | Feed Lifting Rock Shaft Crank Slide Block Stud for 52267 |
| 85321 | 2893 | Binder Tape Tension, complete, Nos. 85322, 85324, and eight 85323 for 85692 | 125320 | 2888 | Rotating Hook Bobbin Case Latch Lever for 40393 |
| 85322 | — | Binder Tape Tension Plate for 85321 | 127088 | 2882 | Needle Bar (hollow) for 127116 |
| 85323 | — | Binder Tape Tension Pin (straight) for 85321 | 127108 | 2884 | Presser Bar Spring |
| 85324 | — | Binder Tape Tension Pin (bent) for 85321 | 127116 | — | Needle Bar 127088 with 229w, 52307 and 127323 |
| 85325 | 2893 | Binder Folder Screw Washer for 85692.. | 127156 | 2880 | Feed Lifting Rock Shaft Connecting Rod with 127157 and two 966e |
| 85325 | 2893 | Binder Tape Tension Screw Washer for 85692 | *127157 | 2880 | Feed Lifting Rock Shaft Connecting Rod Cap for 127156 |
| 85382 | — | Corder Guide Extension Guide for 85877 | 127306x | 2884 | Throat Plate, large needle hole, for 149446 |
| 85391 | — | Presser Foot Spring for 85884 | 127323 | 2882 | Needle Bar Thread Guard, for 127116 .. |
| 85446 | — | Hemmer Base, complete, Nos. NN40d, 85447 and 85448, for use with Nos. 86005, 86008 and 86010 | 129622 | — | Drip Pan with four $\frac{3}{4}$ " wire nails |
| 85447 | 88 | Hemmer Base, with SS54e, for 85446.. | 139623 | 2890 | Knee Lifter Rock Shaft Lifting Bracket Hook for 139633 |
| 85448 | 88 | Hemmer Base Stud Screw Thumb Nut Washer for 85446 | 139633 | — | Knee Lifter Rock Shaft 2763 with 2770, 6337 and 139623 for 93815 |
| 85686 | 2893 | Feed Dog for 85692 | 140410a | 2886 | Arm Shaft (upright) Bushing (lower) Set Screw |
| 85687 | — | Presser Foot Bracket for 85690..... | 140706a | 2882 | Needle Bar Connecting Stud Clamping Screw, for 24041 |
| 85688 | — | Presser Foot Bracket Hinge Pin for 85690 | 140713a | 2880 | Machine Pulley Set Screw for 174053 .. |
| 85689 | — | Presser Foot Sole for 85690 | 140782c | 2886 | Arm Shaft (upright) Bushing (upper) Set Screw |
| 85690 | 2893 | Presser Foot (hinged), complete, Nos. 85687 to 85689, for 85692 | 140783x | 2884 | Face Plate Screw (upper) |
| 85691 | 2893 | Throat Plate for 85686, for 85692 | 140784c | 2882 | Feed Regulator Hinge Screw |
| 85692 | 2893 | Binder $\frac{1}{4}$ ", complete, Nos. 85320, 85321, 85686, 85690, 85691, two each SS50d and 85325, for general work | 142005 | 2886 | Arm Shaft (horizontal) Bevel Gear Case (upper) Grease Fitting for 174054 .. |
| 85876 | — | Presser Foot for 85877 | 142005 | 2886 | Rotating Hook Shaft Bevel Gear Case (lower) Grease Fitting, for 174057 .. |
| 85877 | 562 | Corder Guide (adjustable), complete, Nos. 228d, 85382 and 85876 | 143014 | 2886 | Arm Shaft (upright) Bevel Gear (lower) with two 1259a for 143295 |
| 85881 | 562 | Cording and Hemming Foot | 143015 | 2880 | Arm Shaft (upright) Bevel Gear (upper) with two 1259a for 174051 |
| 85882 | 2893 | Feed Dog for 85886 | 143081 | 2886 | Rotating Hook Shaft Bevel Gear with two 1259a, for 143295 |
| 85883 | — | Presser Foot for 85884 | 143184 | 2884 | Presser Bar Bushing (lower) |
| 85884 | 2893 | Presser Foot, complete, Nos. 219d, 85391 and 85883, for 85886 | 143295 | 2886 | Set of Mated Gears (lower shaft) complete, Nos. 143014 and 143081 |
| 85885 | 2893 | Throat Plate for 85882, for 85886 | 143345 | — | Rotating Hook Bobbin Case 52237 with 143346 (for agents only) |
| 85886 | 2893 | Crimping Set, complete, Nos. 85882, 85884 and 85885 | 143346 | 2888 | Rotating Hook Bobbin Case Holder for 143345, 174045 and 174091 |
| 85896 | 2894 | Felling Foot, $\frac{3}{16}$ " fell, | 144768 | 2886 | Arm Shaft (upright) Bushing (lower) Oil Wick (braided cotton), for 166027 |
| 85897 | 562 | Felling Foot (steel), $\frac{3}{16}$ " fell | 144801 | 2886 | Rotating Hook Shaft Bushing (back) Oil Wick (braided cotton), for 174106 |
| 85955 | 562 | Gathering Foot | 147151 | 2887 | Tension Releasing Disc for 147153 |
| 86005 | 88 | Hemmer ($\frac{3}{16}$ " to $\frac{1}{4}$ " in grades of $\frac{1}{16}$ ") | 147152 | 2887 | Tension Spring for 147153 |
| 86008 | 88 | Hemmer (1 " to $1\frac{1}{4}$ ", in grades of $\frac{1}{8}$ ") | | | |
| 86010 | 88 | Hemmer ($1\frac{1}{8}$ " and $1\frac{1}{4}$ ") | | | |
| 86025 | 562 | Hemmer (foot) ($\frac{1}{16}$ " to $\frac{3}{32}$ " hem, in grades of $\frac{1}{32}$ ") | | | |
| 86041 | 2894 | Quilter Clamp, with 207d, for 86043 | | | |
| 86042 | 2894 | Quilter Rod for 86043 | | | |
| 86043 | 2894 | Quilter, complete, Nos. 86041 and 86042 | | | |
| 86182 | 562 | Cording Foot (grooved on right side) .. | | | |
| 86188 | 2894 | Presser Foot (narrow) for narrow tucking | | | |
| 86193 | 2894 | Gathering Foot (slotted) | | | |
| 86537 | — | Hemmer (foot, flat sole) $\frac{1}{16}$ " | | | |
| 86538 | — | Hemmer (foot, flat sole) $\frac{3}{32}$ " | | | |
| 86539 | 2894 | Hemmer (foot, flat sole) $\frac{1}{8}$ " | | | |
| 86540 | — | Hemmer (foot, flat sole) $\frac{3}{32}$ " | | | |
| 86541 | — | Hemmer (foot, flat sole) $\frac{1}{16}$ " | | | |
| 86542 | — | Hemmer (foot, flat sole) $\frac{3}{32}$ " | | | |

NUMERICAL LIST OF PARTS

| No. | Plate | Description | No. | Plate | Description |
|---------|-------|--|--------|-------|--|
| 147153 | — | Tension, complete, Nos. 32574, 52083', 52098, 52394, 147151, 147152 and two 2102 | 174107 | 2880 | Arm Shaft (horizontal) Bevel Gear with two 1259al for 174051 |
| 149446 | 2885 | Feed Dog | 174112 | 2889 | Belt Guard, complete, Nos. 624al, 99552, and 174105r |
| †149481 | 2883 | Feed Dog for General Work, 18 teeth (16 teeth to the inch) | | | (supplied only when specified on order at no extra charge) |
| 150203 | 2895 | Thread Unwinder Spool Rest Cushion (felt) for 225258 | 174115 | 2884 | Face Plate Thread Guard (upper) for 174028 |
| 161065 | — | Presser Foot Plate for 161066 | | | |
| †161066 | 2884 | Presser Foot (spring hinged) complete, Nos. 62527, 62926, 161065 and 161160 | | | |
| 161160 | — | Presser Foot Spring for 161066 | | | |
| 161294 | 2892 | Screw Driver (Large) | | | |
| 161295 | 2892 | Screw Driver (small) | | | |
| | | (No. 120378 will be supplied until stock is exhausted) | | | |
| 166024 | 2882 | Thread Take-up Lever Link Hinge Pin for 166025 and 174099 | | | |
| *166026 | 2886 | Arm Shaft (upright) Bushing (lower) for 166027 | | | |
| 166027 | 2886 | Arm Shaft (upright) Bushing (lower) 166026 with 52280 and 144768 | | | |
| 166032 | 2880 | Feed and Feed Lifting Eccentric Lubricating Pad (wood, long) for 166030 and 174079 | | | |
| 166033 | 2881 | Feed and Feed Lifting Eccentric Retaining Ring for 166031 and 174080 | | | |
| 174011 | 2880 | Arm Shaft (upright) | | | |
| 174012 | 2886 | Arm Shaft (upright) Bushing (upper) for 174013 | | | |
| 174013 | 2886 | Arm Shaft (upright) Bushing (upper) 174012 with 52279 and 52280 | | | |
| 174014 | 2886 | Arm Side Cover | | | |
| 174023 | — | Arm Top Cover Oil Tube (long) for 174024 | | | |
| 174024 | 2884 | Arm Top Cover Oil Tube (long) 174023 with 52184, for 174016 and 174074 | | | |
| 174027 | 2884 | Face Plate for 174028 | | | |
| 174028 | 2884 | Face Plate, complete, Nos. 52053, 174027, 174115 and two 226x | | | |
| 174029 | 2883 | Feed Forked Connection for 174030 | | | |
| 174030 | 2883 | Feed Forked Connection 174029 with 375c, 1518r and 52165 | | | |
| 174031 | 2883 | Feed Lifting Rock Shaft for 174032 | | | |
| 174032 | — | Feed Lifting Rock Shaft, complete, Nos. 52265 and 174031 | | | |
| 174033 | 2882 | Feed Regulator for 174034 | | | |
| 174034 | 2882 | Feed Regulator 174033 with 50200c | | | |
| 174035 | 2882 | Feed Regulator Spring | | | |
| 174036 | 2882 | Feed Regulator Spring Bracket (hook) | | | |
| 174037 | 2882 | Feed Reversing Lever for 174038 | | | |
| 174038 | 2882 | Feed Reversing Lever 174037 with 624al | | | |
| 174039 | 2882 | Feed Reversing Lever Connection | | | |
| 174040 | 2883 | Feed Rock Shaft for 174041 | | | |
| 174041 | — | Feed Rock Shaft, complete, Nos. 29633 and 174040 | | | |
| 174048 | 2886 | Rotating Hook Shaft Bushing (back) | | | |
| 174051 | — | Set of Mated Gears (upper shaft) complete, Nos. 143015 and 174107 | | | |
| 174053 | 2880 | Machine Pulley "V" Belt groove (outside diam. of belt groove 2.9"), with two 140713al | | | |
| 174054 | 2886 | Arm Shaft (horizontal) Bevel Gear Case (upper) (two pieces) with 50668e, 50669e and 142005 | | | |
| 174055 | 2886 | Arm Side Shield | | | |
| 174056 | 2882 | Needle Bar Bushing (lower) | | | |
| 174057 | 2886 | Rotating Hook Shaft Bevel Gear Case (lower) (two pieces) with 142005 and three 145e | | | |
| 174103 | 2882 | Thread Take-up Lever Guard | | | |
| 174105r | 2889 | Belt Guard Support for 174112 | | | |
| 174106 | 2886 | Rotating Hook Shaft Bushing (back) 174048 with 52280 and 144801 | | | |

†Sent with machine unless otherwise specified on order.

NUMERICAL LIST OF PARTS

| No. | Plate | Description | No. | Plate | Description |
|---------|-------|--|--------|-------|---|
| 200056e | 2624 | Bobbin Winder Stop Latch Screw for 104212 | 276160 | 2882 | Feed Reversing Lever Handle |
| 200082d | 2624 | Bobbin Winder Tension Bracket Screw for 104212 | | | |
| 200113f | 2624 | Bobbin Winder Brake Clamp Screw for 104212 | | | |
| 200299h | 2624 | Bobbin Winder Stop Latch Trip Lever Hinge Screw for 104212 | | | |
| 200380c | 2624 | Bobbin Winder Pulley Set Screw for 104211 | | | |
| 200383c | 2895 | Thread Unwinder Spool Rest Rod Set Screw for 259658 | 16x231 | — | Needles, two each sizes 16, 18 and 19 with Accessories and one size 14 in Machine |
| 200575x | 2882 | Feed Reversing Lever Handle Screw | | | |
| 201018c | 2895 | Thread Unwinder Spool Rest Set Screw for 225257 | | | |
| 201499h | 2624 | Bobbin Winder Tension Stud for 225461 | | | |
| 201528h | 2895 | Thread Unwinder Spool Pin Nut for 225257 | | | |
| 201529x | 2882 | Feed Reversing Lever Handle Screw Nut | | | |
| 201572h | 2624 | Bobbin Winder Tension Stud Thumb Nut for 225462 | | | |
| 201696h | 2895 | Thread Unwinder Thread Guide Lock Nut for 225258 | | | |
| 202277 | 2624 | Bobbin Winder Frame Oil Packing (wick) for 225453 | | | |
| 202478 | 2624 | Bobbin Winder Stop Latch Trip Lever for 104212 | | | |
| 225257 | 2895 | Thread Unwinder Spool Rest with 201018c, two each 82538, 201528h and 228692, for 225258 | | | |
| 225258 | 2895 | Thread Unwinder (for two spools of thread), complete, Nos. 201696h, 225257, 225324, 225326, 225388, 259658, two each 150203, 225391 and three wood screws $\frac{3}{8}$ " No. 12 supplied with machine | | | |
| 225322 | 2895 | Thread Unwinder Thread Guide Rod Washer for 225324 | | | |
| 225324 | 2895 | Thread Unwinder Thread Guide Rod with 208a1 and 225322, for 225258 | | | |
| 225326 | 2895 | Thread Unwinder Thread Guide Position Cup for 225258 | | | |
| 225381 | 2624 | Bobbin Winder Spindle for 104212 | | | |
| 225388 | 2895 | Thread Unwinder Spool Rest Rod for 225258 | | | |
| 225391 | 2895 | Thread Unwinder Thread Guide for 225258 | | | |
| 225444 | 2624 | Bobbin Winder Stop Latch for 104212 | | | |
| 225453 | 2624 | Bobbin Winder Frame with 202277 and 259660, for 104212 | | | |
| 225454 | 2624 | Bobbin Winder Frame Hinge Pin for 104212 | | | |
| 225455 | 2624 | Bobbin Winder Frame Spring for 104212 | | | |
| 225456 | 2624 | Bobbin Winder Frame Spring Plunger for 104212 | | | |
| 225458 | 2624 | Bobbin Winder Stop Latch Thumb Lever for 104212 | | | |
| 225459 | 2624 | Bobbin Winder Stop Latch Thumb Lever Hinge Stud for 104212 | | | |
| 225459 | 2624 | Bobbin Winder Stop Latch Thumb Lever Joint Stud for 104212 | | | |
| 225461 | 2624 | Bobbin Winder Tension Bracket with 201499h, for 225462 | | | |
| 225462 | 2624 | Bobbin Winder Tension Bracket, complete, Nos. 13710, 201572h, 225461 and two 2102, for 104212 | | | |
| 228026 | 2624 | Bobbin Winder Tension Bracket Screw Washer for 104212 | | | |
| 228692 | 2895 | Thread Unwinder Spool Pin for 225257 | | | |
| 259428 | 2624 | Bobbin Winder Brake (leather) for 104212 | | | |
| 259429 | 2624 | Bobbin Winder Brake Clamp for 104212 | | | |
| 259430 | 2624 | Bobbin Winder and Tension Bracket Base for 104212 | | | |
| 259658 | 2895 | Thread Unwinder Spool Stand with 200383c for 225258 | | | |
| 259660 | 2624 | Bobbin Winder Frame Oil Well Washer for 225453 | | | |
| 270874 | 2888 | Rotating Hook Thread Guard for 174044 and 174090 | | | |
| 270876 | 2888 | Rotating Hook Section for 174045 and 174091 | | | |
| 276159 | 2882 | Feed Reversing Lever Hinge Pin | | | |

NUMERICAL LIST OF PARTS

Special to 196K5 Machine

| No. | Plate | Description | No. | Plate | Description |
|---------|-------|--|---------|-------|--|
| 144c | 2881 | Arm Shaft (horizontal) Screw | 174008 | 2881 | Arm Shaft (horizontal) Flanged Bushing (front) Oil Tube 174007 with 52184 |
| 775e | 2881 | Needle Bar Connecting Link Cap Screw for 52270 | 174009 | — | Arm Shaft (horizontal) Bushing (intermediate) Oil Tube for 174010 |
| 1037al | 2881 | Thread Take-up Crank Position Screw for 174109 | 174010 | 2881 | Arm Shaft (horizontal) Bushing (intermediate) Oil Tube 174009 with 52184 |
| 40264 | 2885 | Rotating Hook Bobbin | 174015 | 2885 | Arm Top Cover Oil Tube (short) for 174018 |
| 52014 | 2885 | Needle Bar Bushing (upper) | 174016 | — | Arm Top Cover 174015 with 52239, 174018, 174021 and 174024 |
| 52022 | 2881 | Thread Take-up Lever with 52130, for 166035 | 174017 | — | Arm Top Cover Oil Tube (short) for 174018 |
| 52184 | 2882 | Arm Top Cover Oil Tube (bent) Packing (wick) for 174021 | 174018 | 2885 | Arm Top Cover Oil Tube (short) 174017 with 52184 for 174016 |
| 52184 | 2882 | Arm Top Cover Oil Tube (short) Packing (wick) for 174018 | 174020 | — | Arm Top Cover Oil Tube (bent) for 174021 |
| 52193 | 2880 | Arm Shaft (horizontal) Bushing (intermediate) Oil Pad (braided cotton) for 52262 | 174021 | 2885 | Arm Top Cover Oil Tube (bent) 174020 with 52184 for 174016 |
| 52193 | 2880 | Arm Shaft (horizontal) Flanged Bushing (front) Oil Pad (braided cotton) for 174006 | *174026 | — | Bed Note: Due to the accuracy required for gear alignment, Bed cannot be supplied separately and can only be sent out as a unit, Arm and Bed assembled. |
| 52194 | 2880 | Arm Shaft (horizontal) Flanged Bushing (back) Oil Pad (felt) for 174004 | 174042 | 2885 | Rotating Hook for 174043 |
| 52194 | 2880 | Arm Shaft (horizontal) Flanged Bushing (front) Oil Pad (felt) for 174006 | 174043 | — | Rotating Hook 174042 with two 1253al, for 174044 |
| 52207 | 2881 | Needle Bar Connecting Link Lubricating Pad (wood) for 127231 | 174044 | — | Rotating Hook 174043 with 270874 and four 1053e for 174045 |
| 52216 | 2881 | Thread Take-up Crank for 52270 | 174045 | — | Rotating Hook 174044 with 143346, 270876 and three 1367e for 174046 |
| 52239 | 2885 | Arm Top Cover Spool Pin and Thread Eyelet for 174016 | 174046 | — | Rotating Hook 174045 with 52237 |
| 52261 | — | Arm Shaft (horizontal) Bushing (intermediate) for 52262 | 174047 | 2885 | Rotating Hook Shaft |
| 52262 | 2881 | Arm Shaft (horizontal) Bushing (intermediate) 52261 with 52193 and 52263 | 174049 | 2885 | Rotating Hook Shaft Bushing (front) for 174050 |
| 52263 | 2881 | Arm Shaft (horizontal) Bushing (intermediate) Oil Pad (felt) for 52262 | 174050 | 2885 | Rotating Hook Shaft Bushing (front) 174049 with 52280 and 144801 |
| 52270 | — | Thread Take-up Crank 52216 with 775e and 127232 for 166025 | 174108 | — | Arm Shaft (horizontal) for 174002 |
| 52280 | 2886 | Rotating Hook Shaft Bushing (front) Oil Pad (felt) for 174050 | 174109 | 2881 | Needle Bar Crank with 1036al, 1037al and 1065al for 174002 |
| 127231 | 2881 | Needle Bar Connecting Link with 52207 for 127232 | | | |
| 127232 | — | Needle Bar Connecting Link 127231 with 24041 for 52270 | | | |
| 142008 | 2885 | Rotating Hook Shaft Bushing (front) Oil Cup | | | |
| 144801 | 2886 | Rotating Hook Shaft Bushing (front) Oil Wick (braided cotton) for 174050 | | | |
| 166025 | — | Thread Take-up, complete, Nos. 52270, 166024 and 166035 | | | |
| 166030 | 2881 | Feed and Feed Lifting Eccentric with 52211, 166032 and two 448al for 166031 | | | |
| 166031 | — | Feed and Feed Lifting Eccentric 166030 with 166033 and 166034 | | | |
| 166034 | 2881 | Feed and Feed Lifting Eccentric Sleeve for 166031 | | | |
| 166035 | — | Thread Take-up Lever, complete, Nos. 52022 and 52024 | | | |
| *174001 | — | Arm Note: Due to the accuracy required for gear alignment, Arm cannot be supplied separately and can only be sent out as a unit, Arm and Bed assembled. | | | |
| 174002 | 2881 | Arm Shaft (horizontal) 174108 with 174109 | | | |
| 174003 | — | Arm Shaft (horizontal) Flanged Bushing (back) for 174004 | | | |
| 174004 | 2881 | Arm Shaft (horizontal) Flanged Bushing (back) 174003 with 52193 and 52194 | | | |
| 174005 | — | Arm Shaft (horizontal) Flanged Bushing (front) for 174006 | | | |
| 174006 | 2881 | Arm Shaft (horizontal) Flanged Bushing (front) 174005 with 52193 and 52194 | | | |
| 174007 | — | Arm Shaft (horizontal) Flanged Bushing (front) Oil Tube for 174008 | | | |

NUMERICAL LIST OF PARTS

Special to 196K205 Machine

| No. | Plate | Description | No. | Plate | Description |
|----------|-------|--|---------|-------|--|
| 402x | 2882 | Thread Take-up Crank Screw Plug for 174100 | 174066 | 2880 | Arm Shaft (horizontal) Bushing (intermediate) Oil Wick Holder Oil Tube Pad (felt) for 174072 |
| 691f | 2888 | Rotating Hook Shaft Bushing (front) Oil Reservoir Cover Screw | 174066 | 2880 | Arm Shaft (horizontal) Flanged Bushing (front) Oil Wick Holder Oil Tube Pad (felt) for 174067 |
| 46224 | — | Arm Shaft (horizontal) Back Bearing Oil Cup | 174067 | 2880 | Arm Shaft (horizontal) Flanged Bushing (front) Oil Wick Holder Oil Tube 174065 with 140835x and 174066 |
| 52184 | 2882 | Thread Take-up Crank Packing (wick) for 174100 | 174068 | — | Arm Shaft (horizontal) Oil Wick for 174060 |
| 52194 | 2880 | Feed and Feed Lifting Eccentric Sleeve Oil Pad for 174081 | 174069 | 2880 | Arm Shaft (horizontal) Plug Screw (back) Washer (fibre) for 174060 |
| 52289 | 2880 | Arm Shaft (horizontal) Flanged Bushing (back) Oil Pad (felt) for 174062 | 174070 | 2880 | Arm Shaft (horizontal) Bushing (intermediate) |
| 52289 | 2880 | Arm Shaft (horizontal) Flanged Bushing (front) Oil Pad (felt) for 174064 | 174071 | 2880 | Arm Shaft (horizontal) Bushing (intermediate) Oil Wick Holder Oil Tube for 174072 |
| 140231c | 2882 | Needle Bar Connecting Link Cap Screw for 174101 | 174072 | 2880 | Arm Shaft (horizontal) Bushing (intermediate) Oil Wick Holder Oil Tube 174071 with 140835x and 174066 |
| 140609al | 2880 | Thread Take-up Crank Clamping Screw, for 174111 | 174073 | 2884 | Arm Top Cover for 174074 |
| 140640e | 2880 | Arm Shaft (horizontal) Plug Screw (front) for 174060 | 174074 | — | Arm Top Cover, complete, Nos. 174024, 174073, 174075, 174077 and two 174076 |
| 140835x | 2880 | Arm Shaft (horizontal) Bushing (intermediate) Oil Wick Holder Oil Tube Cap Screw for 174072 | 174075 | 2884 | Arm Top Cover Oil Cap for 174074 |
| 140835x | 2880 | Arm Shaft (horizontal) Flanged Bushing (front) Oil Wick Holder Oil Tube Cap Screw for 174067 | 174076 | 2884 | Arm Top Cover Oil Tube (short) for 174074 |
| 140836d | 2880 | Arm Shaft (horizontal) Plug Screw (back) for 174060 | 174077 | 2884 | Arm Top Cover Oil Tube (short) Packing (wick) for 174074 |
| 143042 | 2886 | Rotating Hook Shaft Oil Filter Wick for 143350 | *174078 | — | Bed Note: Due to the accuracy required for gear alignment, Bed cannot be supplied separately and can only be sent out as a unit, Arm and Bed assembled. |
| 143056 | 2882 | Needle Bar Connecting Link Roller Bearing for 174101 | 174079 | 2880 | Feed and Feed Lifting Eccentric, with 52211, 166032 and two 448al for 174080 |
| 143056 | 2882 | Thread Take-up Lever Link Roller Bearing for 174099 | 174080 | — | Feed and Feed Lifting Eccentric 174079 with 166033 and 174081 |
| 143098 | 2882 | Thread Take-up Lever Link Roller Bearing Retaining Washer for 174099 | 174081 | 2880 | Feed and Feed Lifting Eccentric Sleeve with 52194 and 174082 for 174080 |
| 143241 | 2887 | Thread Take-up Crank Wearing Plate | 174082 | 2880 | Feed and Feed Lifting Eccentric Sleeve Oil Pad Retainer for 174081 |
| 143301 | 2888 | Rotating Hook Oil Wick (felt) for 174089 | 174083 | 2882 | Needle Bar Bushing (upper) |
| 143349 | 2886 | Rotating Hook Shaft Oil Filter Wick Holder for 143350 | 174084 | 2882 | Needle Bar Bushing (upper) Oil Wick for 174085 |
| 143350 | 2886 | Rotating Hook Shaft Oil Filter, complete, Nos. 143042 and 143349 for 174094 | 174085 | 2882 | Needle Bar Bushing (upper) Oil Wick 174084 with 146580 |
| 143351 | 2888 | Rotating Hook Wiper (leather) | 174086 | 2882 | Needle Bar Connecting Link for 174087 |
| 144768 | 2886 | Rotating Hook Shaft Bushing (front) Oil Wick (braided cotton) for 166027 | 174087 | — | Needle Bar Connecting Link 174086 with 24041 for 174101 |
| 144833 | 2880 | Arm Shaft (horizontal) Flanged Bushing (front) Oil Pad (braided cotton) for 174064 | 174088 | 2888 | Rotating Hook for 174089 |
| 146580 | 2882 | Needle Bar Bushing (upper) Oil Wick Clip for 174085 | 174089 | — | Rotating Hook 174088 with 143301, 270878 and two 1253al for 174090 |
| 147109 | 2880 | Arm Shaft (horizontal) Plug Screw (front) Washer (fibre) for 174060 | 174090 | — | Rotating Hook 174089 with 143351, 270874 and four 1053e for 174091 |
| *174058 | — | Arm Note: Due to the accuracy required for gear alignment, Arm cannot be supplied separately and can only be sent out as a unit, Arm and Bed assembled. | 174091 | — | Rotating Hook 174090 with 143346, 270876 and three 1367e for 174092 |
| 174059 | 2880 | Arm Shaft (horizontal) 174110 with 174111 for 174060 | 174092 | — | Rotating Hook 174091 with 52237 |
| 174060 | — | Arm Shaft (horizontal) 174059 with 140640e, 140836d, 147109, 174068 and 174069 | 174093 | 2886 | Rotating Hook Shaft for 174094 |
| 174061 | — | Arm Shaft (horizontal) Flanged Bushing (back) for 174062 | 174094 | 2886 | Rotating Hook Shaft 174093 with 143350 |
| 174062 | 2880 | Arm Shaft (horizontal) Flanged Bushing (back) 174061 with 52193 and 52289 | 174095 | 2886 | Rotating Hook Shaft Bushing (front) for 174096 |
| 174063 | — | Arm Shaft (horizontal) Flanged Bushing (front) for 174064 | 174096 | 2886 | Rotating Hook Shaft Bushing (front) 174095 with 144768 |
| 174064 | 2880 | Arm Shaft (horizontal) Flanged Bushing (front) 174063 with 52289 and 144833 | 174097 | 2888 | Rotating Hook Shaft Bushing (front) Oil Reservoir Cover |
| 174065 | 2880 | Arm Shaft (horizontal) Flanged Bushing (front) Oil Wick Holder Oil Tube for 174067 | 174098 | 2888 | Rotating Hook Shaft Bushing (front) Oil Reservoir Cover Pad |
| | | | 174099 | — | Thread Take-up, complete, Nos. 143098, 166024, 174101, 174104 and eighteen 143056 |
| | | | 174100 | — | Thread Take-up Crank with 402x and 52184 for 174101 |

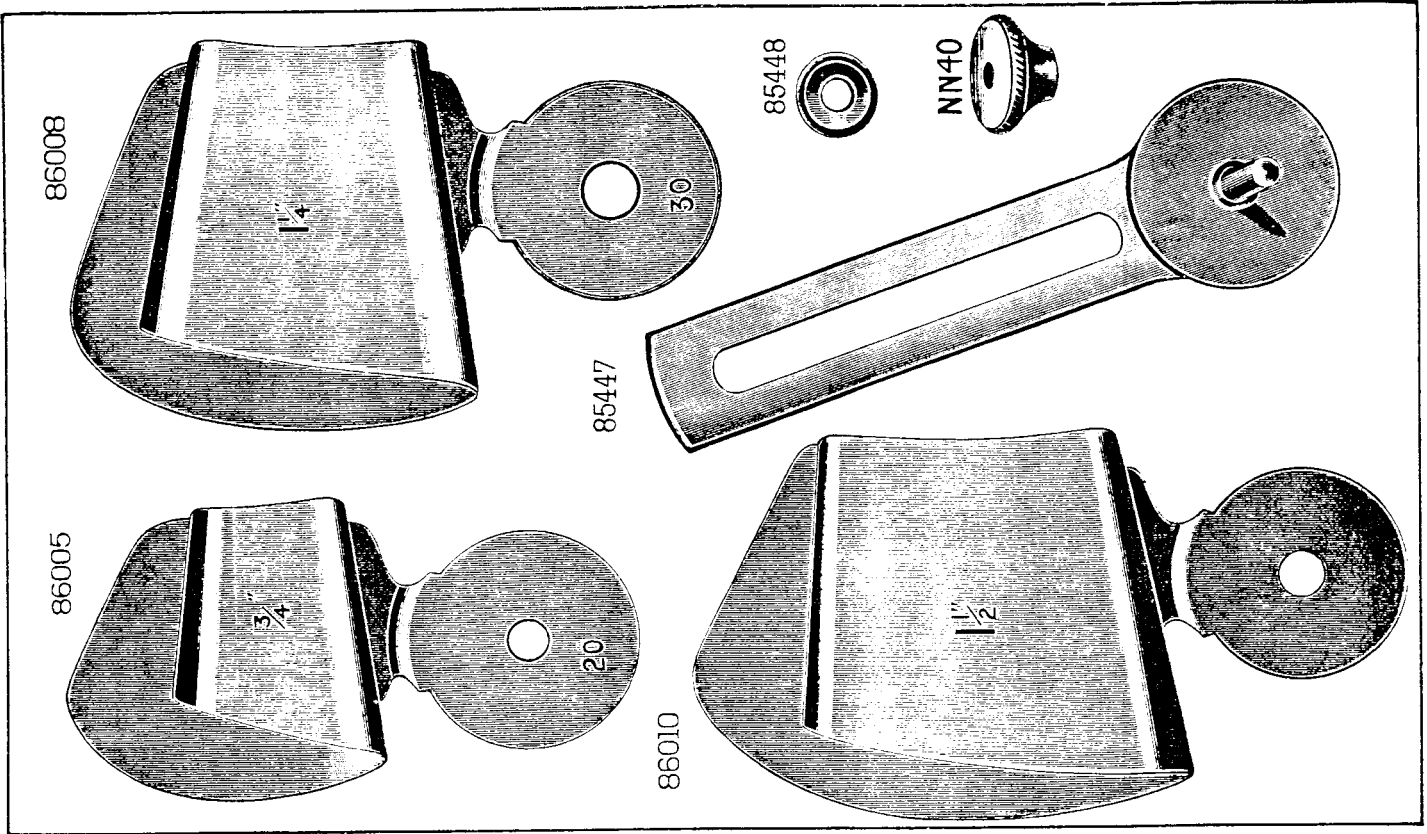
NUMERICAL LIST OF PARTS

Special to 196K205 Machine

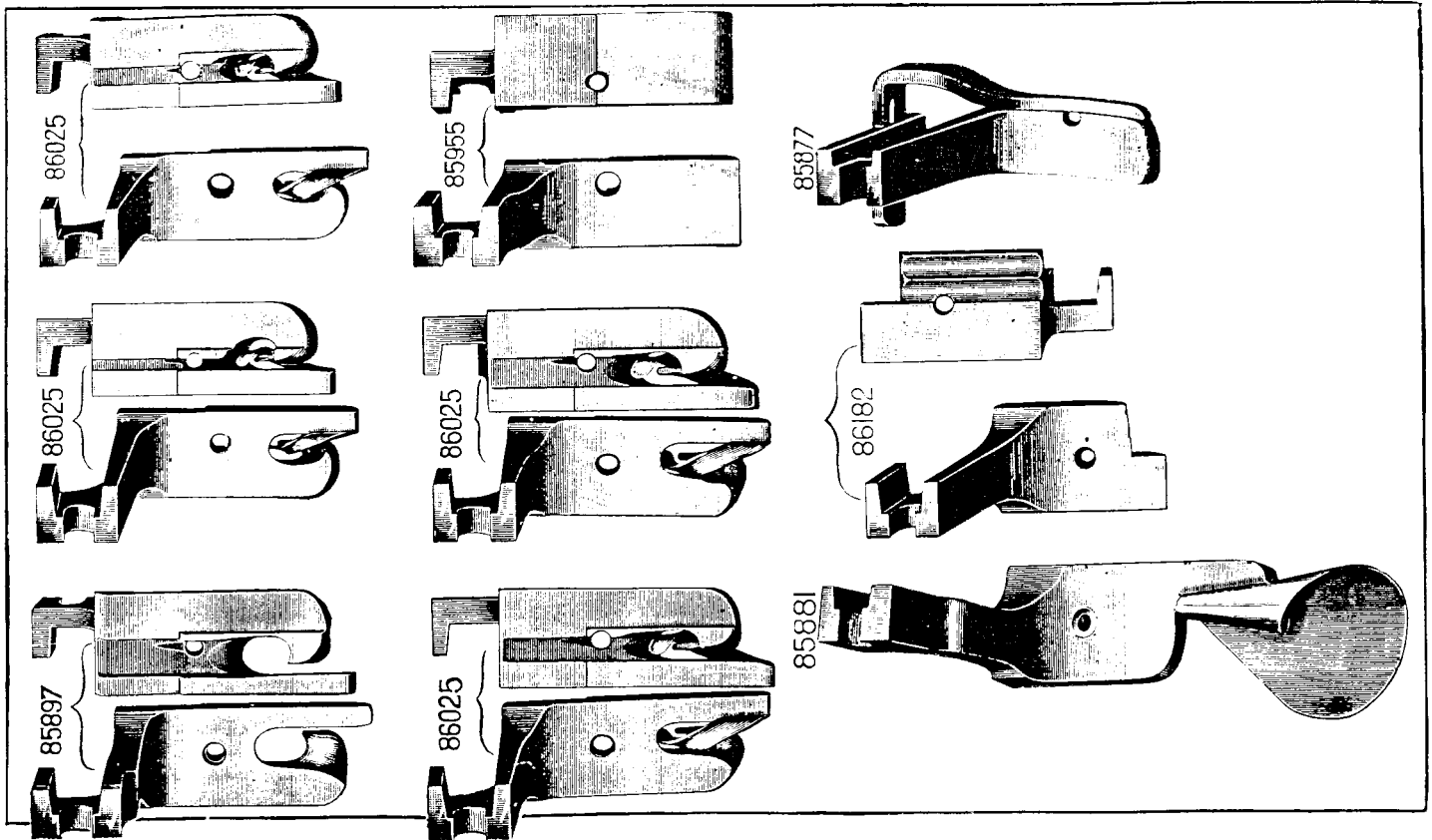
| No. | Plate | Description | No. | Plate | Description |
|--------|-------|---|-----|-------|-------------|
| 174101 | — | Thread Take-up Crank 174100 with 140231c, 174087 and eighteen 143056 for 174099 | | | |
| 174102 | 2882 | Thread Take-up Lever with 52130 for 174104 | | | |
| 174104 | — | Thread Take-up Lever, complete, Nos. 52024 and 174102 for 174099 | | | |
| 174110 | — | Arm Shaft (horizontal) for 174059 | | | |
| 174111 | 2880 | Needle Bar Crank with 1065al and 140609al for 174059 | | | |
| 174113 | 2888 | Rotating Hook Shaft Bushing (front) Oil Reservoir Cover Gasket | | | |
| 270010 | 2888 | Rotating Hook Bobbin | | | |
| 270878 | 2888 | Rotating Hook Oil Retaining Washer (felt) for 174089 | | | |

ILLUSTRATIONS

88

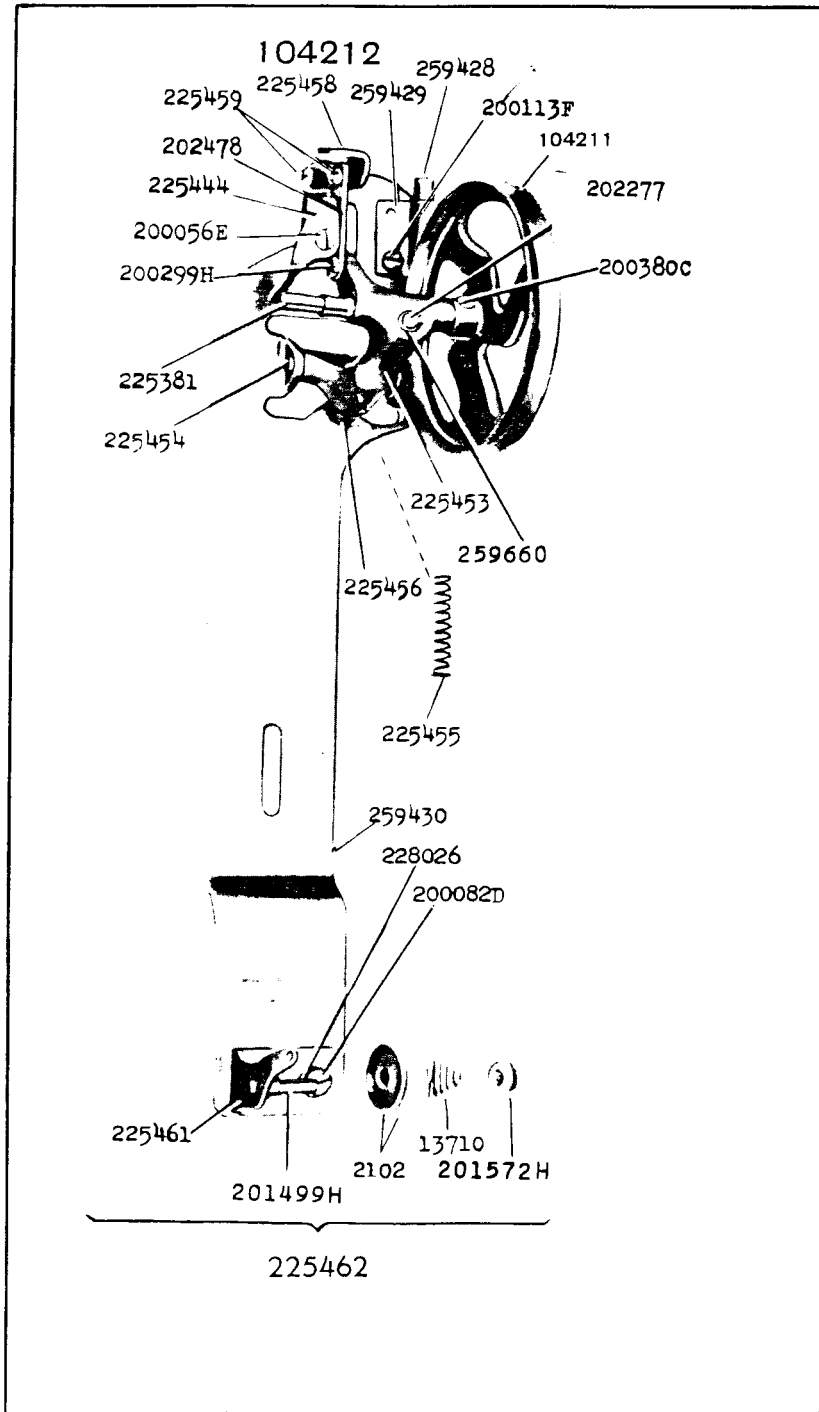


562



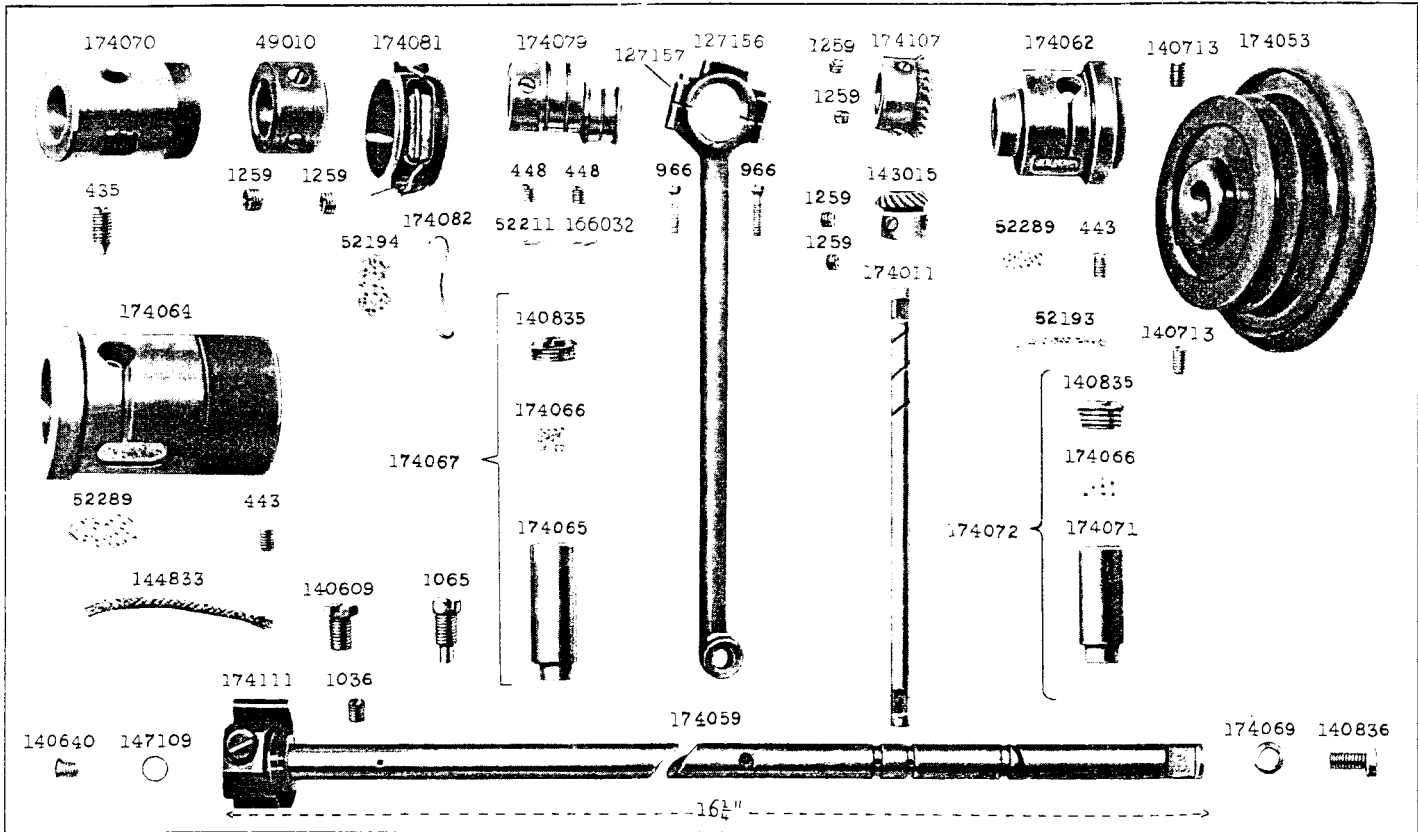
ILLUSTRATIONS

2624 - $\frac{3}{8}$

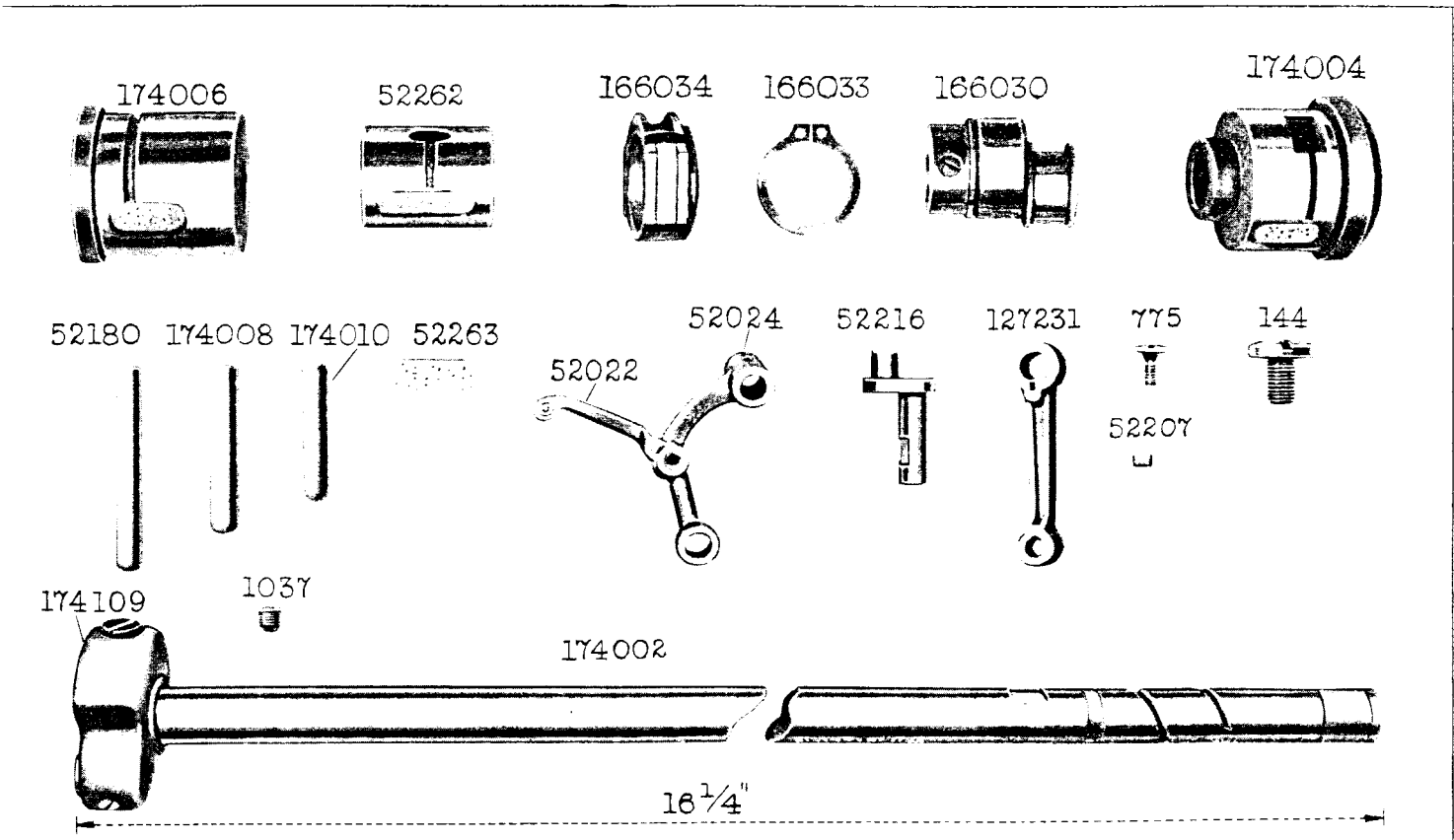


ILLUSTRATIONS

2880 - $\frac{3}{8}$

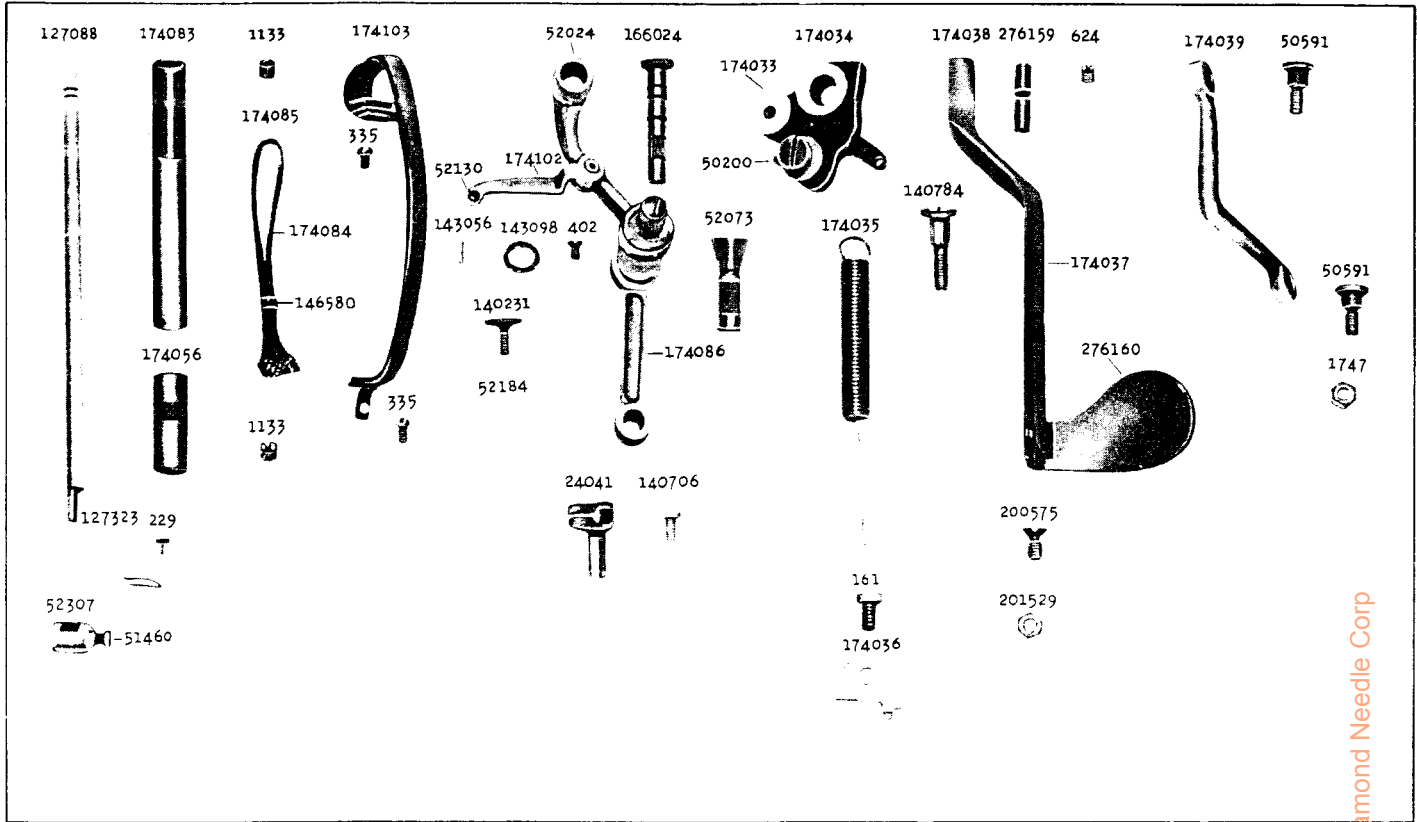


2881 - $\frac{1}{2}$

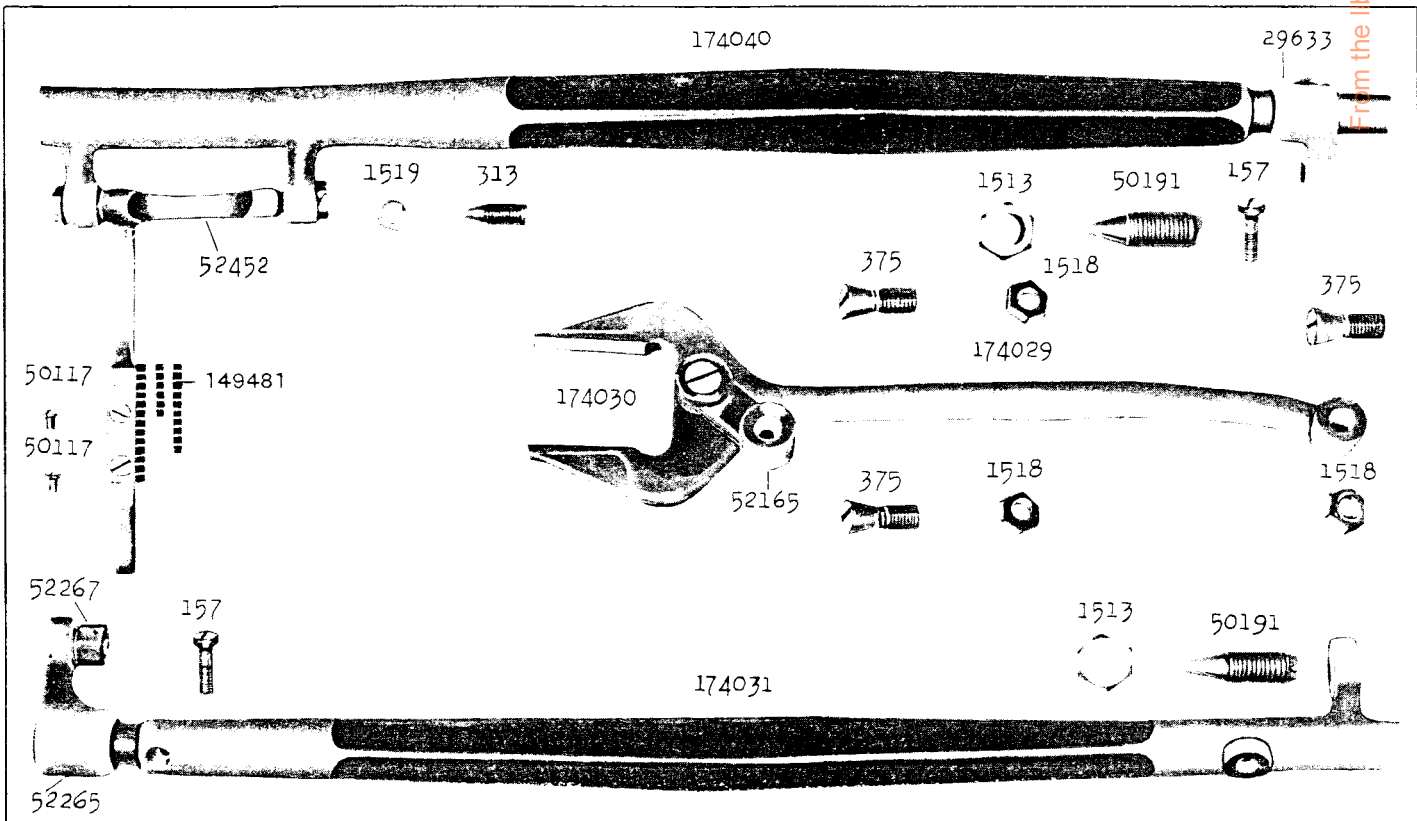


ILLUSTRATIONS

2882 - $\frac{3}{8}$

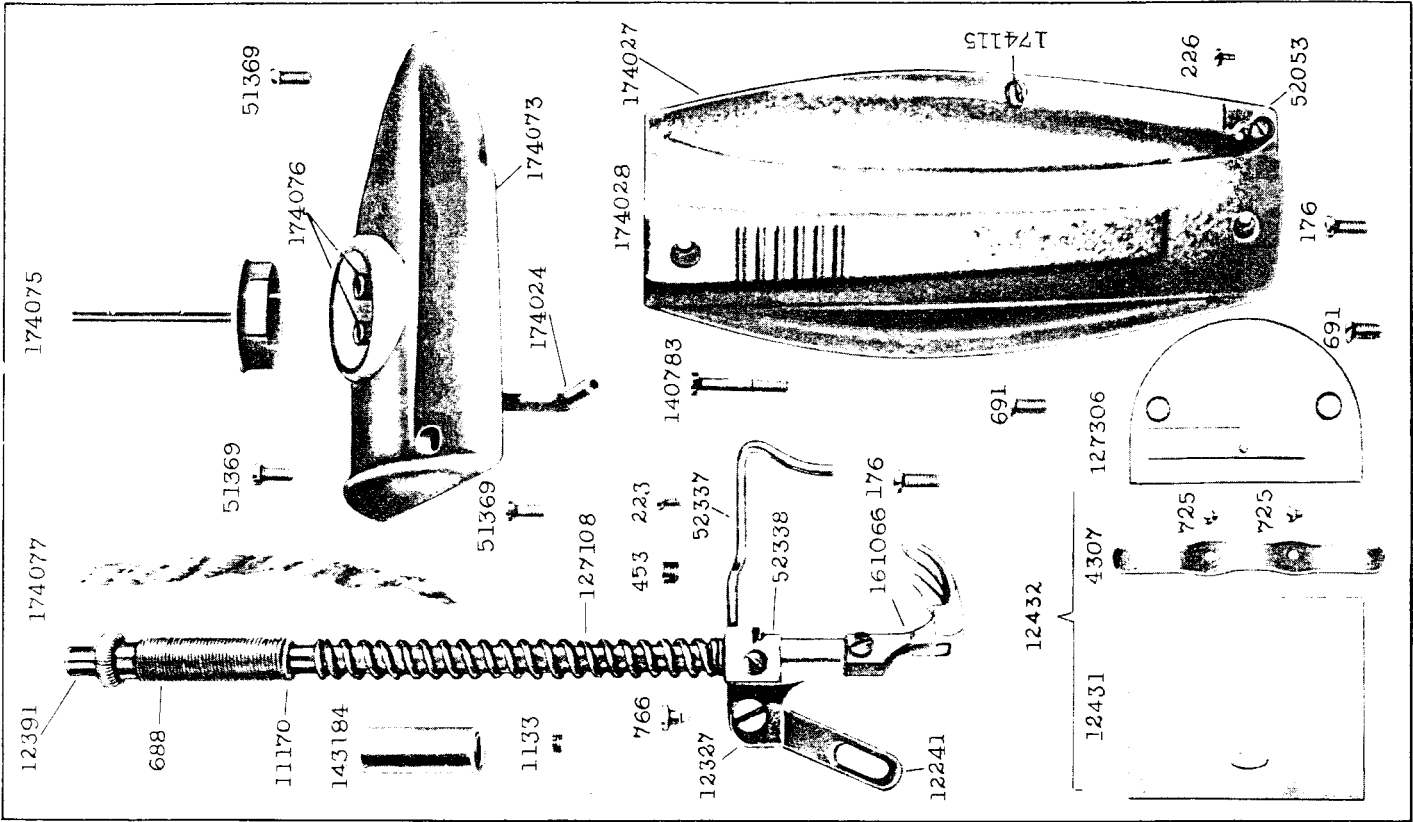


2883 - $\frac{1}{2}$

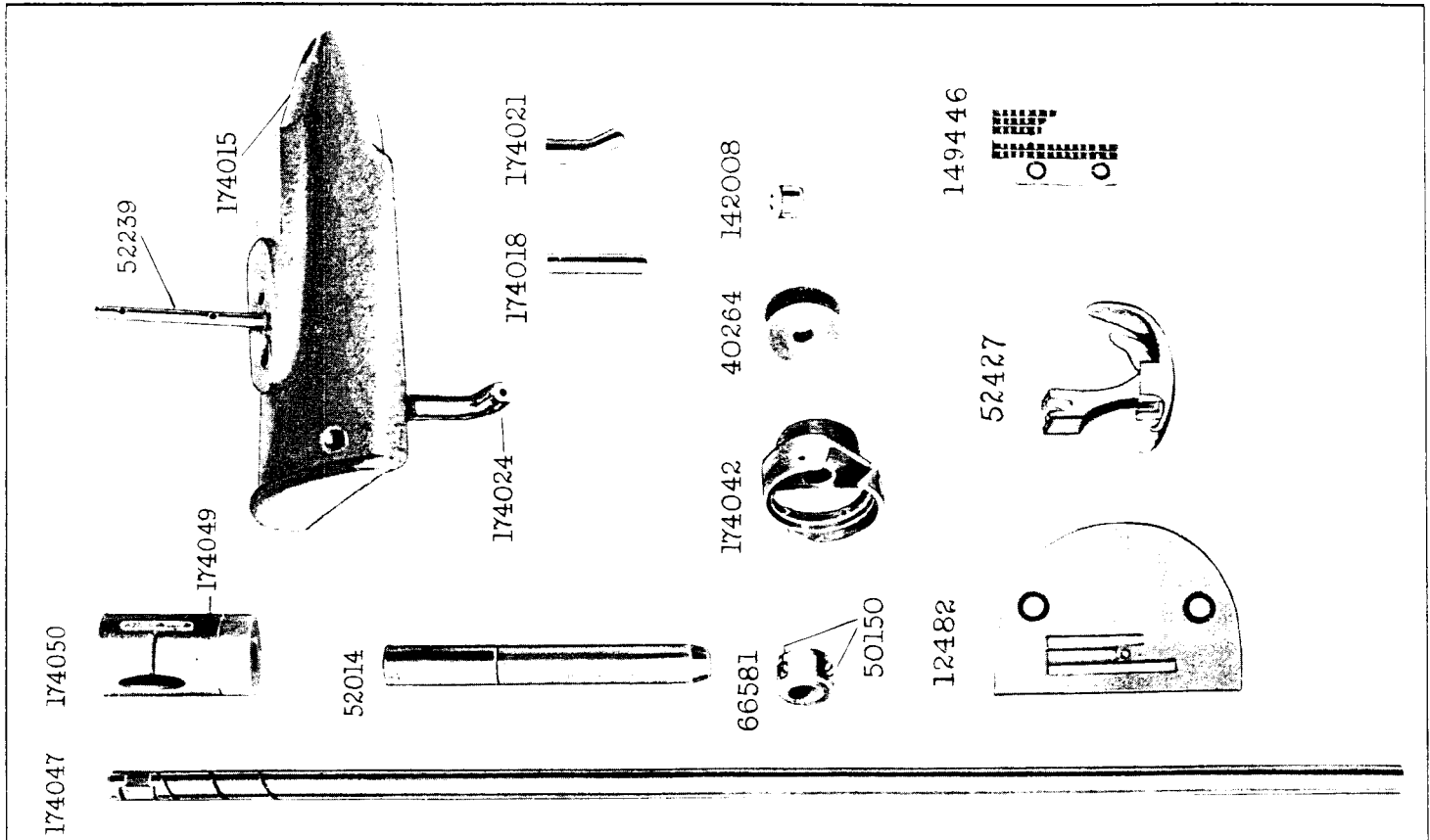


ILLUSTRATIONS

2884 - $\frac{3}{8}$

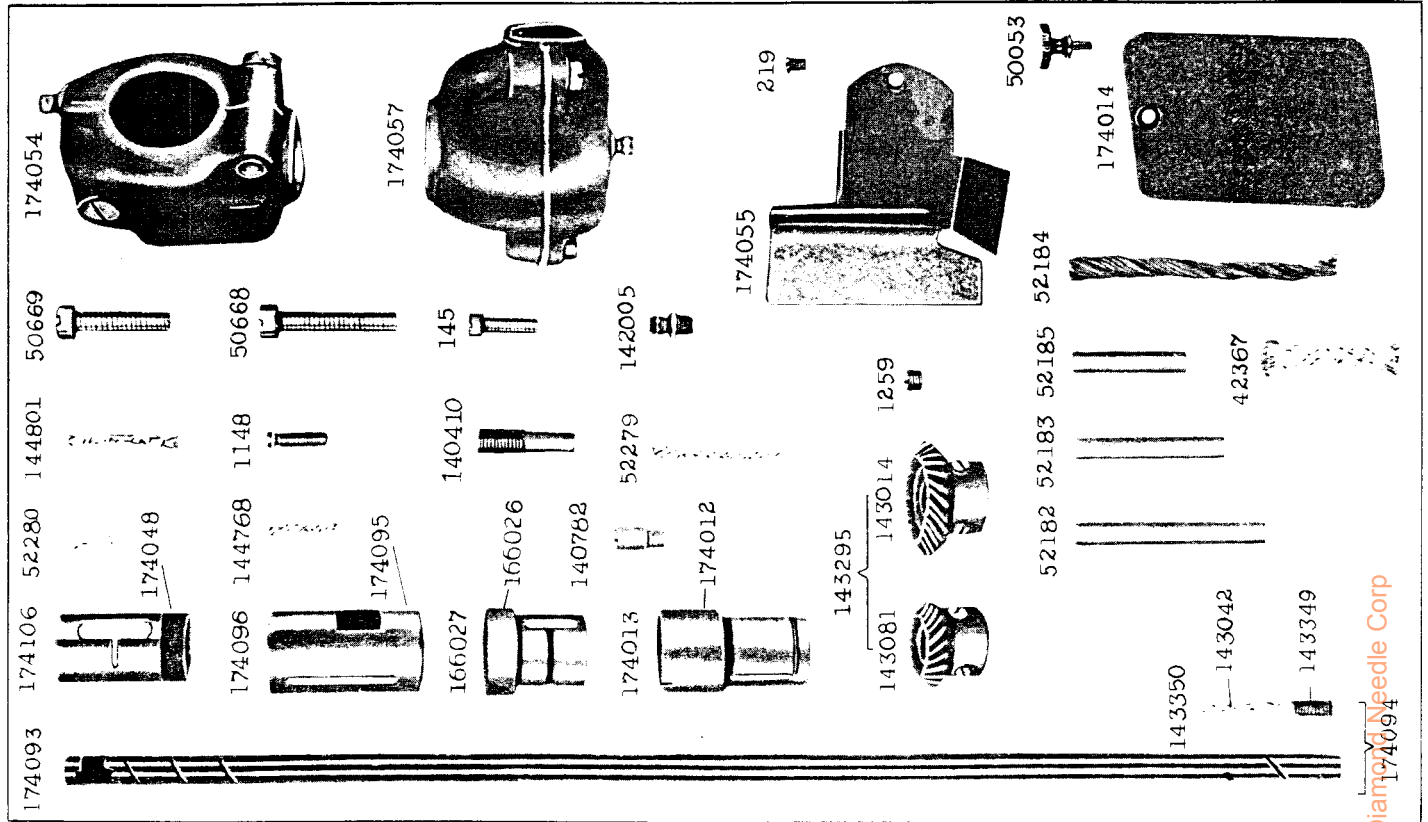


2885 - $\frac{1}{2}$

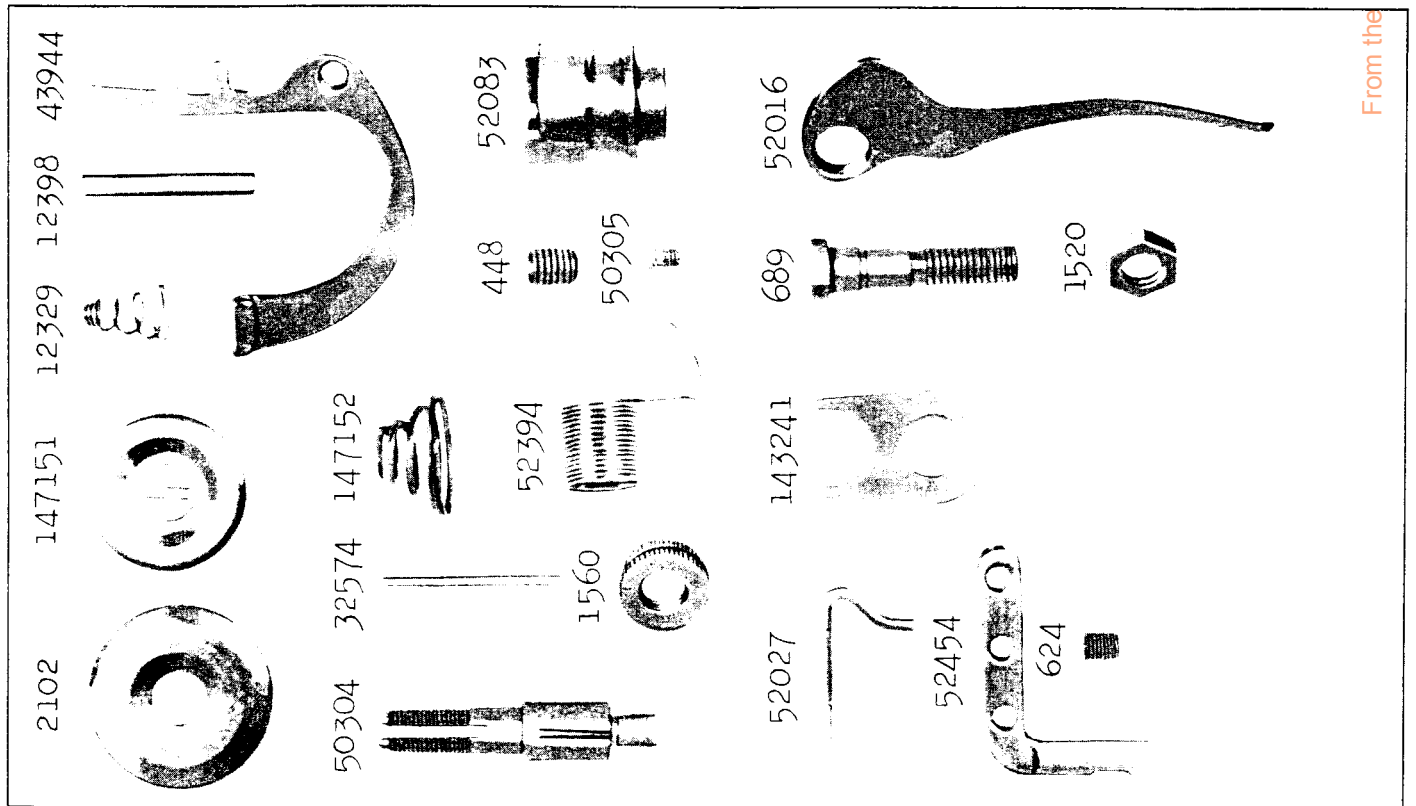


ILLUSTRATIONS

2886 - 1/2

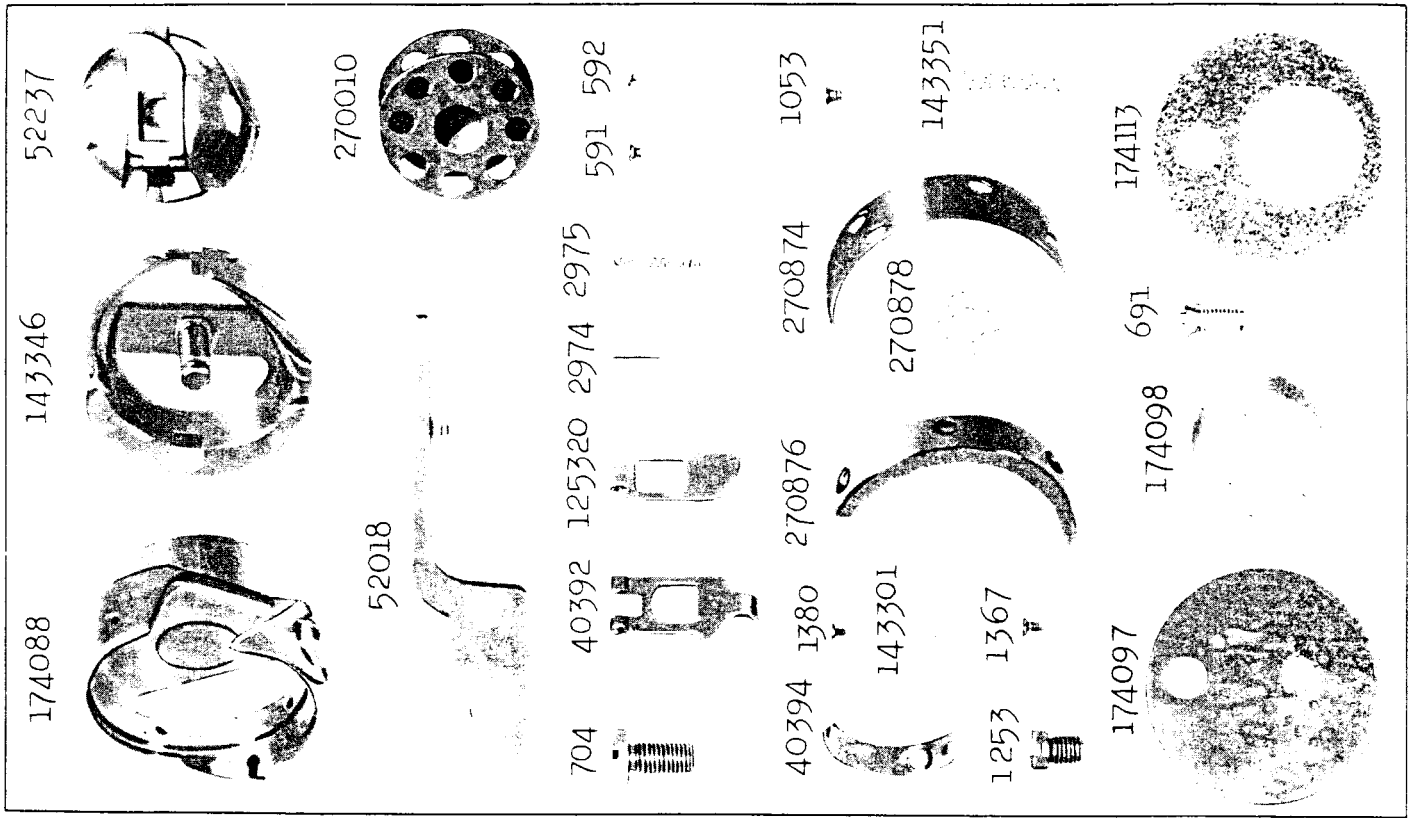


2887 - 1/3

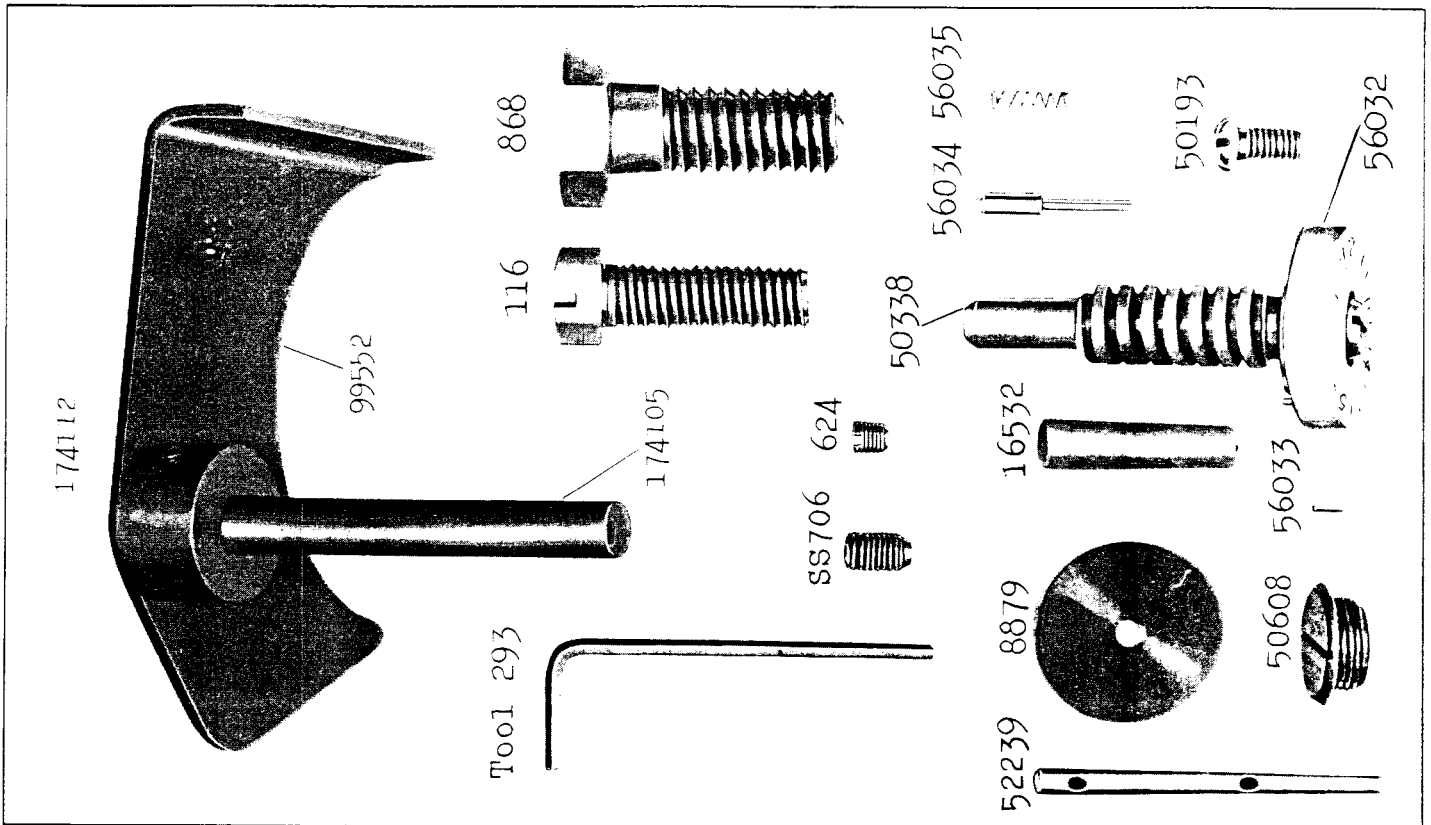


ILLUSTRATIONS

2888 - 4¹³/₄

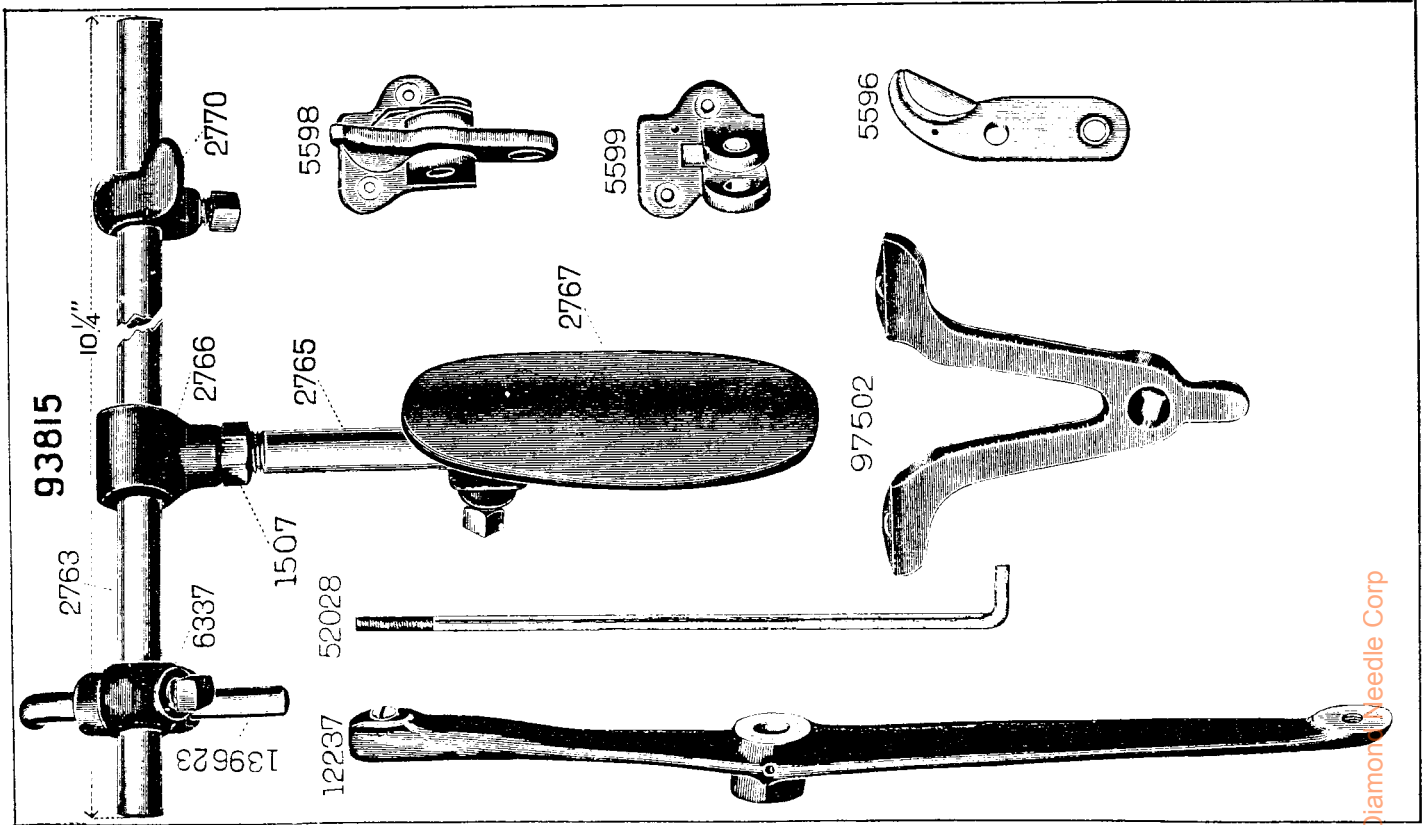


2889 - 4¹³/₄

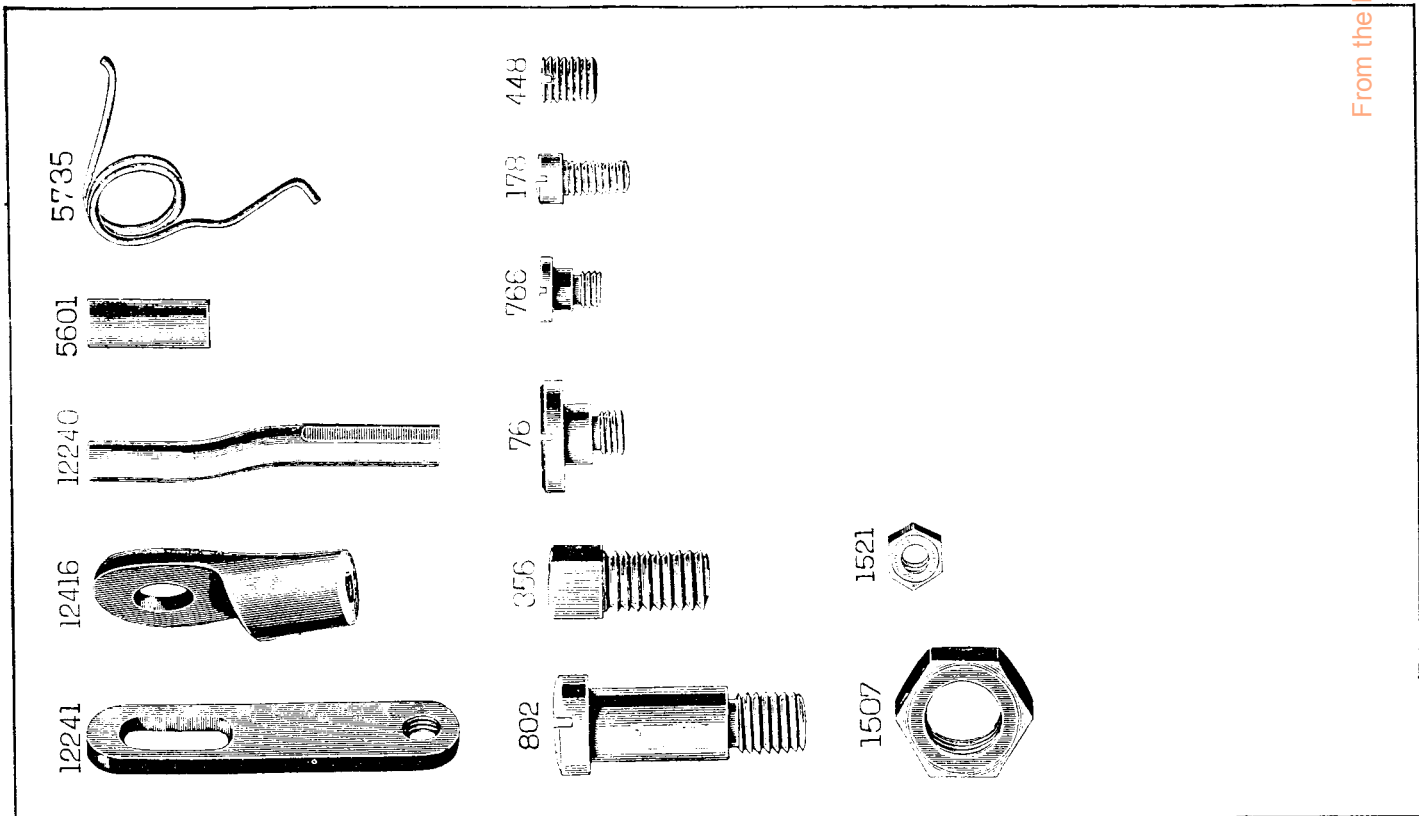


ILLUSTRATIONS

2890 - 1/2

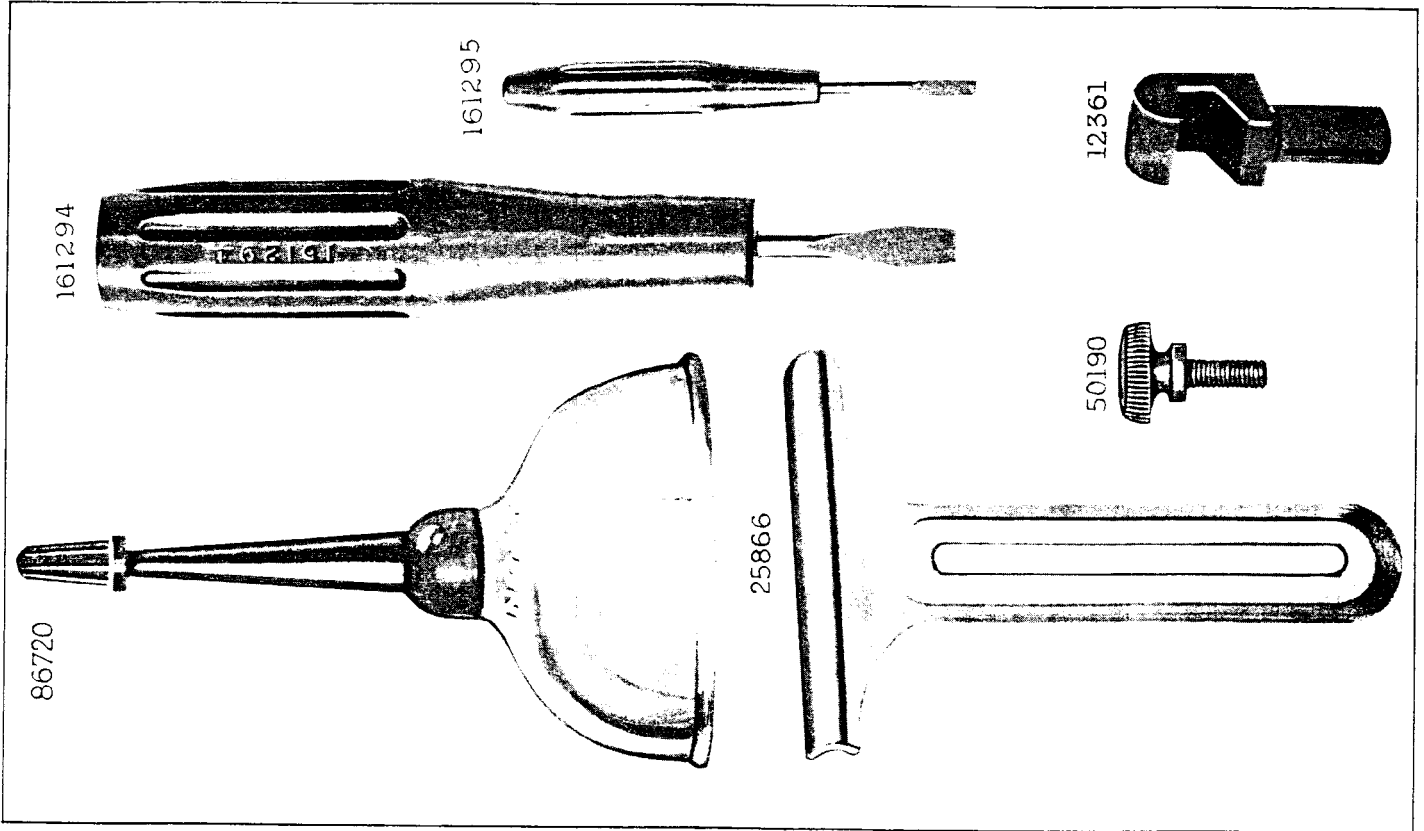


2891

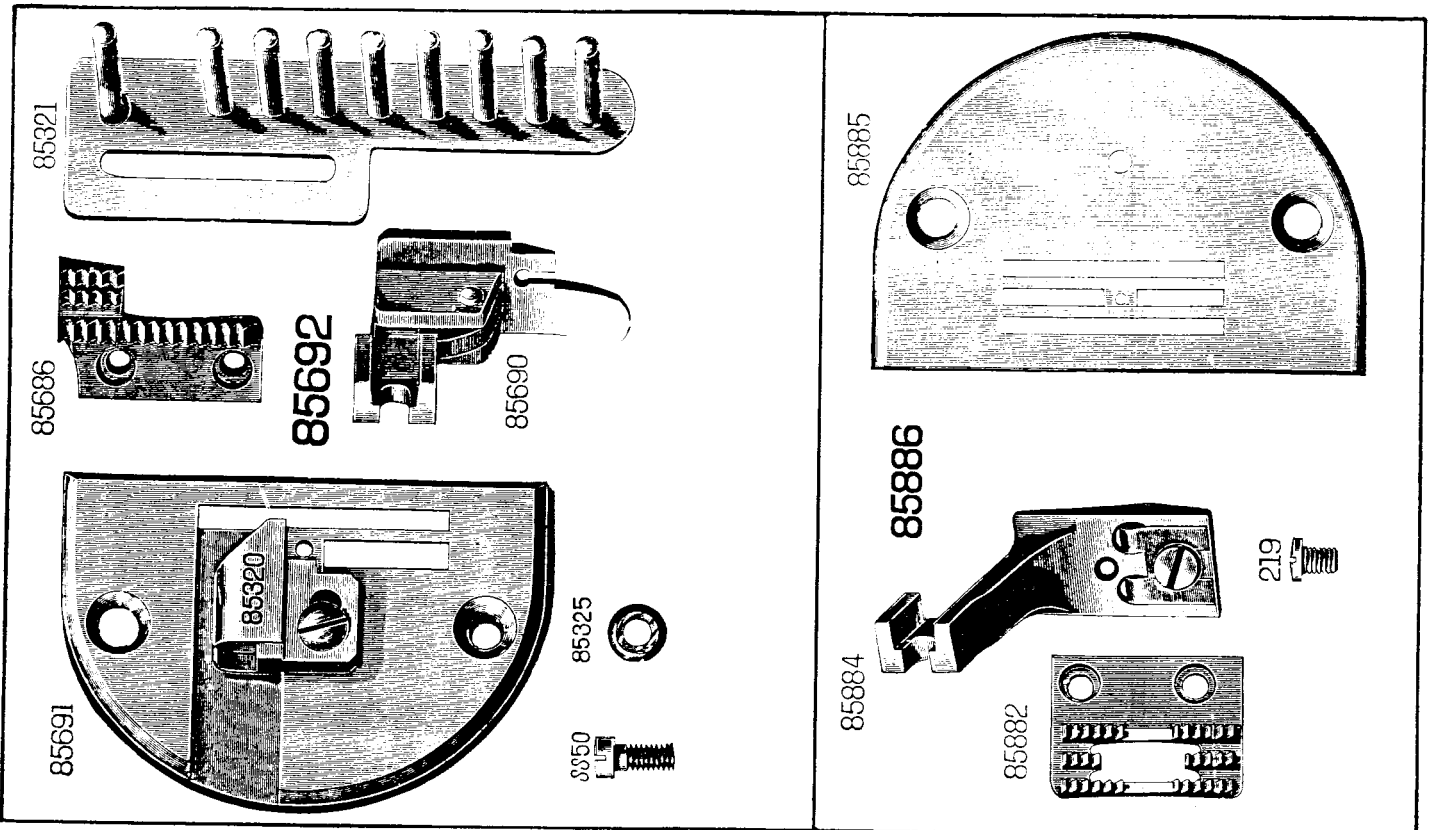


ILLUSTRATIONS

2892

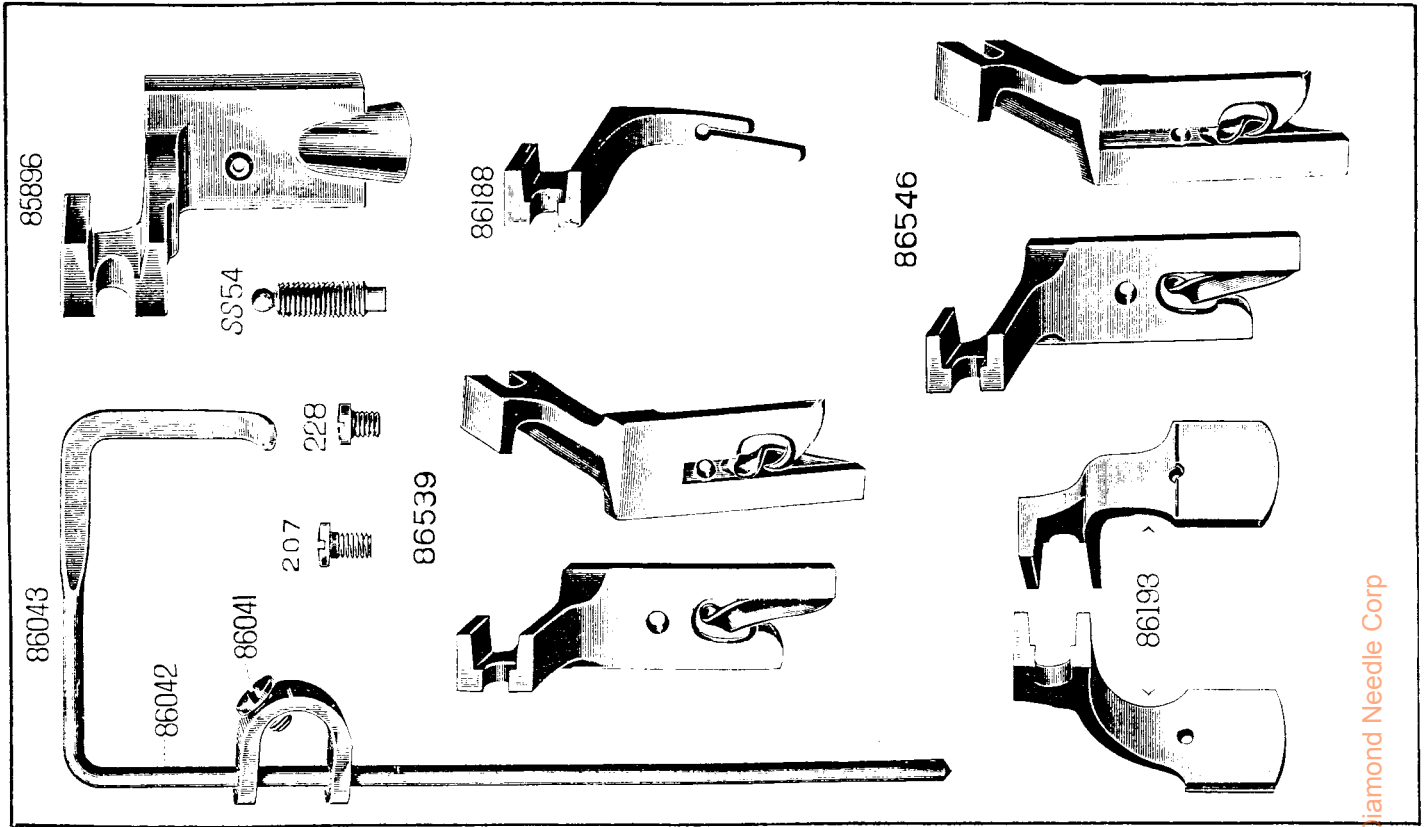


2893

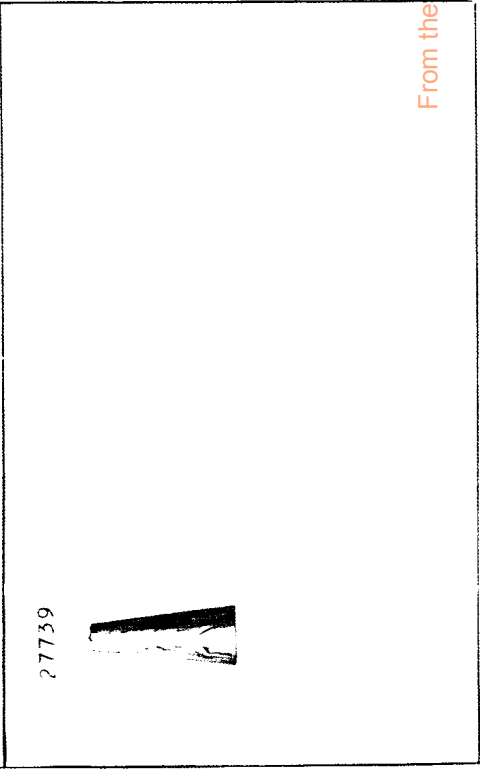
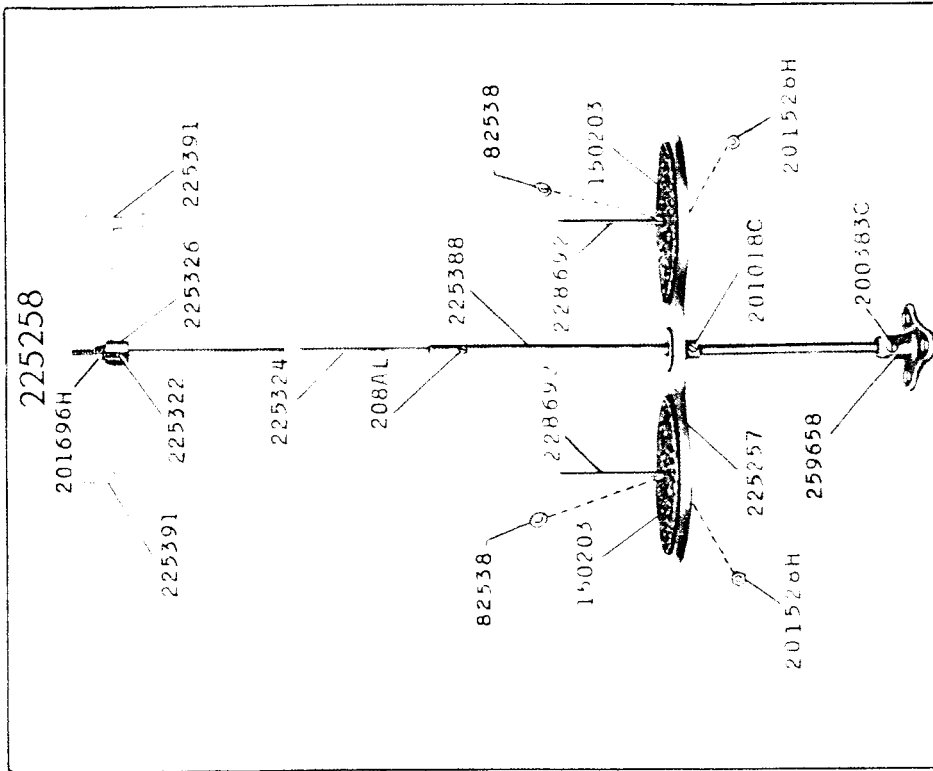


ILLUSTRATIONS

2894



2895 - 1/8



INDEX (continued)

| | Page | | Page |
|--|-------|--|--------|
| Needle Thread Tension | 15 | Sewing Hook | |
| Needle Thread Twist | 9 | Clearance | 22 |
| Needles | | Lubrication | 7 |
| Class and Variety | 8 | Removal | 28 |
| Defects | 8 | Replacement | 28 |
| Ordering | 8 | Setting Sidewise Position | 22, 23 |
| Setting | 8 | Timing | 21 |
| Sizes Recommended | 8, 9 | Sewing Hook Shaft | |
| Needles and Thread, Relationship | 9 | Removal | 29 |
| Oil (see Lubrication) | 4-7 | Replacement | 29 |
| Operator, Information for | 7-17 | Special Characteristics | 3 |
| Parts List | 43 | Speed | 3 |
| Perfect Stitch | 15 | Start Sewing | 14 |
| Position Finger (Thread Clearance) | 25 | Stitch Length | |
| Preparation for Sewing | 14 | Maximum | 5 |
| Presser Bar | | Regulation | 16 |
| Removal | 32 | Take-up Spring (Check Spring) | |
| Replacement | 33 | Setting | 19 |
| Height, Setting | 20 | Tensions | |
| Lift | 3 | Explanation | 15 |
| Pressure on Material | 17 | Regulation, Bobbin Thread | 15 |
| Relationship of Needles and Thread | 9 | Regulation, Needle Thread | 15 |
| Removal and Replacement of | | Thread Clearance | 25 |
| Principal Assemblies | 27-42 | Thread Twist | 9 |
| Removing the Work | 14 | Threading, Lower (Bobbin) | 13 |
| Reverse Direction of Feed | 16 | Threading, Upper (Needle) | 10 |
| Setting Up | 4 | Throat Plate in Relation to Feed Dog | 25 |
| | | Upright Arm Shaft | |
| | | Removal | 30 |
| | | Replacement | 31 |
| | | Winding the Bobbin | 12 |